

ELM 12



Short description

Flexible cuff for sound and vibration damped assembly of ERM duct fans, DN 125

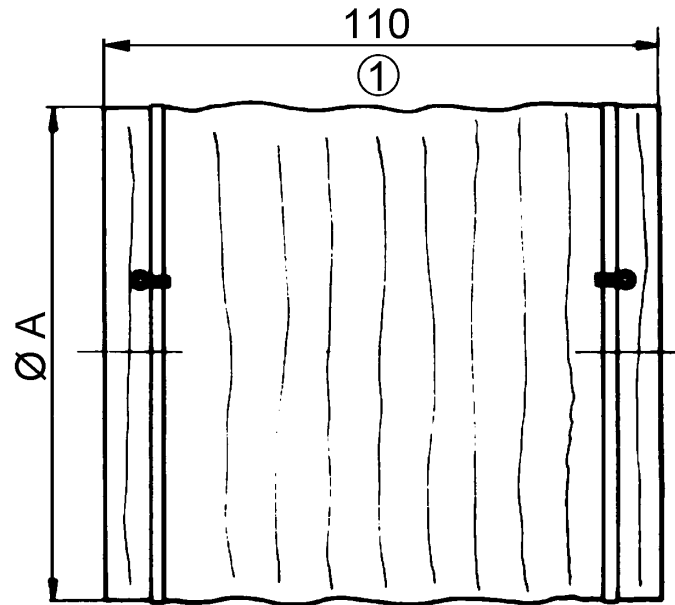
Article number 0092.0122

Technical data

Material	Synthetic material
Colour	Black
Weight	0,08 kg
Weight including packaging	0,1 kg
Suitable for nominal size	125 mm
Width	125 mm
Height	125 mm
Depth	110 mm
Width with packaging	200 mm
Height with packaging	30 mm
Depth with packaging	115 mm
Ambient temperature	50 °C
Packing unit	1 piece
Range	C
GTIN (EAN)	4012799921226

ELM 12

Dimensioned drawing [mm]



A

125

① Extended length