

# ER-UPD EC



## Short description

Flush-mounted housing with fire protection shut-off device for mounting an ER EC / ER EC 2.1 fan. Connection to a second room possible on the right/left/bottom.

## Application examples

Bathroom, Kitchen, Multiple family unit, Day room, Dining room

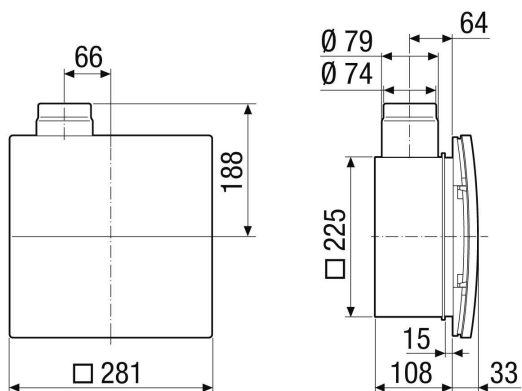
Article number 0093.1767

## Technical data

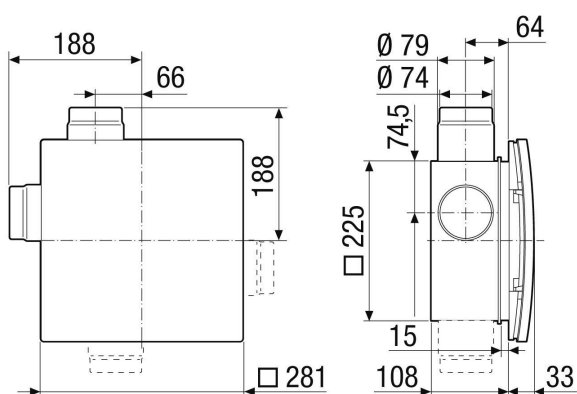
Model	Metal exhaust socket at side with metal shut-off shutter, with airstream-operated triggering device, without fire protection housing, second room connection possible on right/left/at bottom
Air direction	Air extraction
Installation site	Wall / ceiling
Type of installation	Recessed-mounted
Material	Synthetic material
Colour	Black
Weight	0,66 kg
Weight including packaging	0,93 kg
Fire protection	Yes
Air outlet direction	at side
Connection diameter	75 mm / 80 mm
Width	225 mm
Height	225 mm
Depth	108 mm
Width with packaging	310 mm
Height with packaging	240 mm
Depth with packaging	120 mm
Packing unit	1 piece
Range	B
GTIN (EAN)	4012799322054

# ER-UPD EC

## Dimensioned drawing [mm]



## Dimensioned drawing [mm]



ER-UPD EC with second room connection