

ERD 31/6 B



Short description

Centrifugal roof fan, vertical air outlet, DN 315, single-phase AC

Application examples

Production facility, Workplace, Commercial premises, Industrial building, Restaurant

Article number 0087.0005

Technical data

Air flow volume	2.300 m ³ /h
Rotating speed	930 1/min
Speed controllable	✓
Reversing capacity	–
Type of voltage	Alternating current
Rated voltage	230 V
Nominal output	190 W
I _{nom}	0,9 A
I _{max}	1,15 A
Degree of protection	IP 55
Insulation class	B
Installation site	Roof
Installation position	vertical
Material	Sheet steel, galvanised
Weight	46
Weight including packaging	45 kg
Shutter	integrated
Type of shutter	Airstream-operated opening/closing
Nominal size	315 mm
Width with packaging	760 mm
Height with packaging	580 mm
Depth with packaging	740 mm
Airstream temperature at nominal current	-20 °C up to 60 °C
Airstream temperature at I _{Max}	60 °C
Packing unit	1 piece
Range	C
GTIN (EAN)	4012799870050

ERD 31/6 B

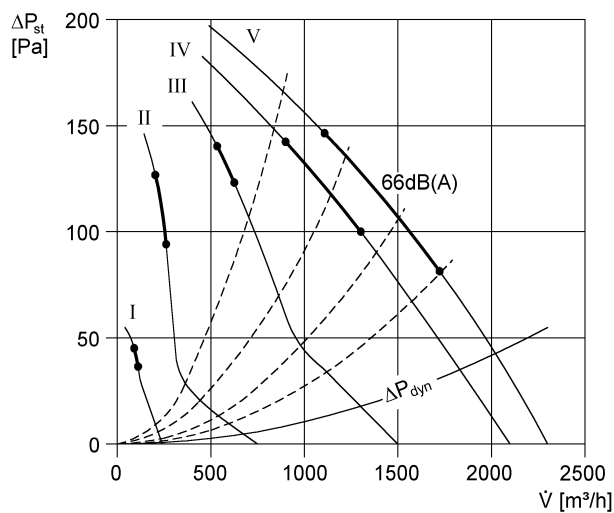
Sound power level in octave range

	63 Hz	125 Hz	250 Hz	500 Hz	1 kHz	2 kHz	4 kHz	8 kHz	Total
L_{WA5, S1} (dB(A))	12	26	40	48	46	32	18	10	51
L_{WA5, S2} (dB(A))	35	36	43	51	54	47	27	18	56
L_{WA5, S3} (dB(A))	44	47	51	51	50	60	41	30	61
L_{WA5, S4} (dB(A))	45	58	60	55	55	60	63	41	67
L_{WA5, S5} (dB(A))	46	59	65	58	57	57	65	43	70
L_{WA8, S1} (dB(A))	12	35	46	46	46	36	24	16	54
L_{WA8, S2} (dB(A))	35	44	47	47	54	45	28	15	55
L_{WA8, S3} (dB(A))	44	52	54	55	50	58	42	29	62
L_{WA8, S4} (dB(A))	45	58	62	62	55	60	63	50	69
L_{WA8, S5} (dB(A))	46	60	67	64	57	61	65	54	72

L_{WA5}= free inlet sound power level in dB.

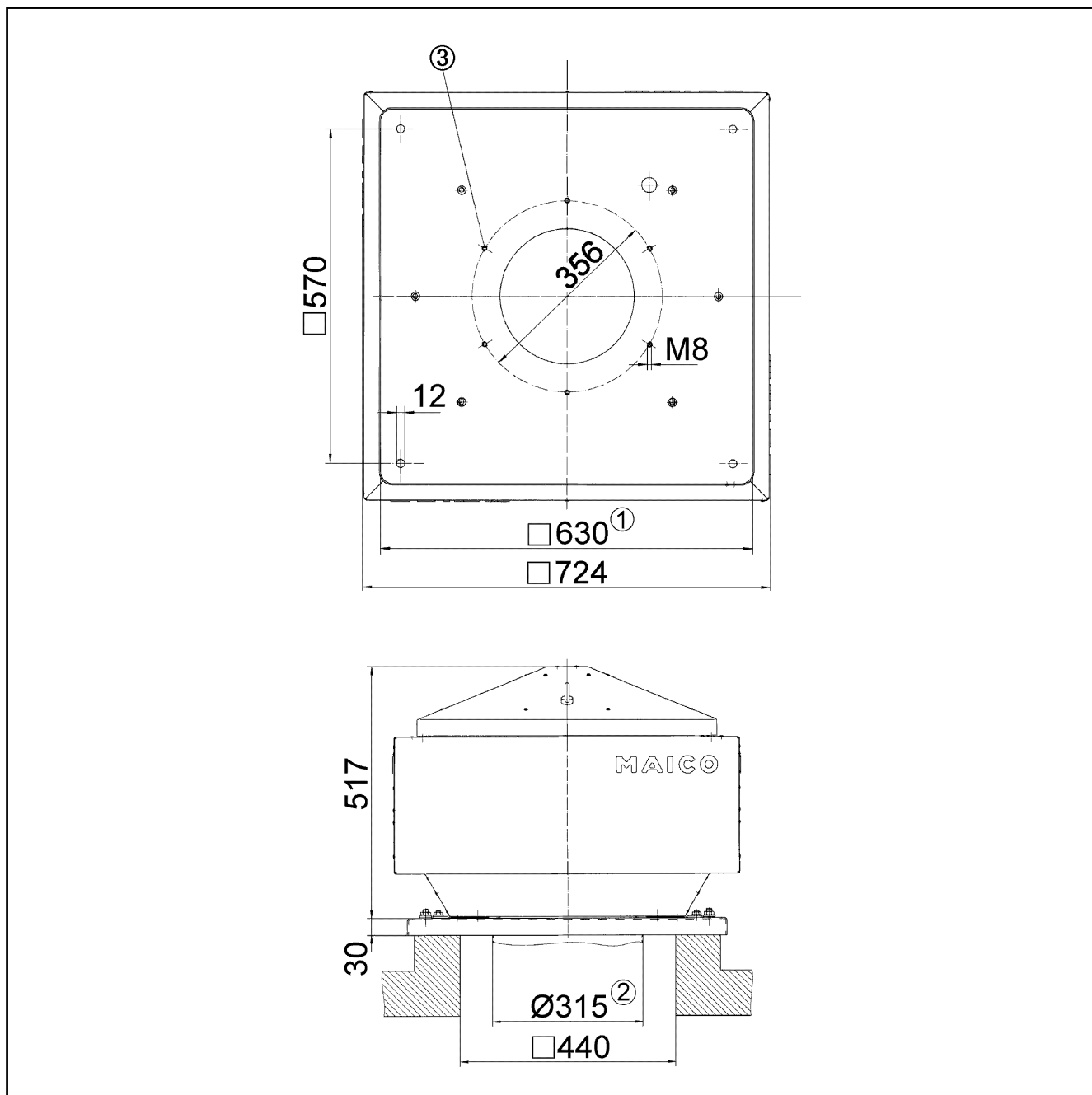
L_{WA8}= housing and free outlet sound power level in dB.

Characteristic curve



ERD 31/6 B

Dimensioned drawing [mm]



- ① Clear width
- ② External duct diameter
- ③ Number of holes: 8