

ERD 40/6 B



Short description

Centrifugal roof fan, vertical air outlet, DN 400, single-phase AC

Application examples

Production facility, Workplace, Commercial premises, Industrial building, Restaurant

Article number 0087.0009

Technical data

Air flow volume	4.300 m ³ /h
Rotating speed	930 1/min
Speed controllable	✓
Reversing capacity	–
Type of voltage	Alternating current
Rated voltage	230 V
Nominal output	520 W
I _{nom}	2,3 A
I _{max}	3,6 A
Degree of protection	IP 55
Insulation class	F
Installation site	Roof
Installation position	vertical
Material	Sheet steel, galvanised
Weight	65,5
Weight including packaging	74 kg
Shutter	integrated
Type of shutter	Airstream-operated opening/closing
Nominal size	400 mm
Width with packaging	925 mm
Height with packaging	690 mm
Depth with packaging	925 mm
Airstream temperature at nominal current	-20 °C up to 60 °C
Airstream temperature at I _{Max}	60 °C
Packing unit	1 piece
Range	C
GTIN (EAN)	4012799870098

ERD 40/6 B

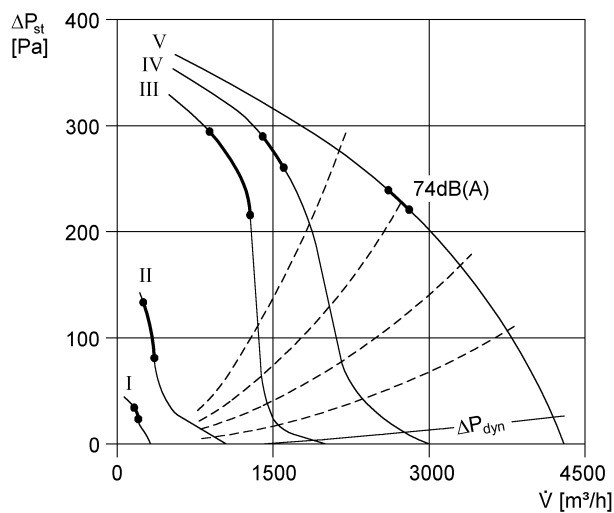
Sound power level in octave range

	63 Hz	125 Hz	250 Hz	500 Hz	1 kHz	2 kHz	4 kHz	8 kHz	Total
L_{WA5, S1} (dB(A))	20	31	34	44	32	17	9	5	45
L_{WA5, S2} (dB(A))	28	38	48	41	52	33	23	10	54
L_{WA5, S3} (dB(A))	47	47	53	56	52	57	42	32	61
L_{WA5} (dB(A))	46	65	64	68	61	63	64	45	73
L_{WA5} (dB(A))	49	71	71	70	68	66	71	53	78
L_{WA8} (dB(A))	25	41	38	40	52	30	19	9	53
L_{WA8} (dB(A))	45	45	52	51	49	56	39	29	59
L_{WA8, S3} (dB(A))	51	50	63	60	58	59	50	45	67
L_{WA8, S4} (dB(A))	53	66	65	70	67	62	66	57	75
L_{WA8, S5} (dB(A))	56	69	72	75	74	71	73	67	81

L_{WA5}= free inlet sound power level in dB.

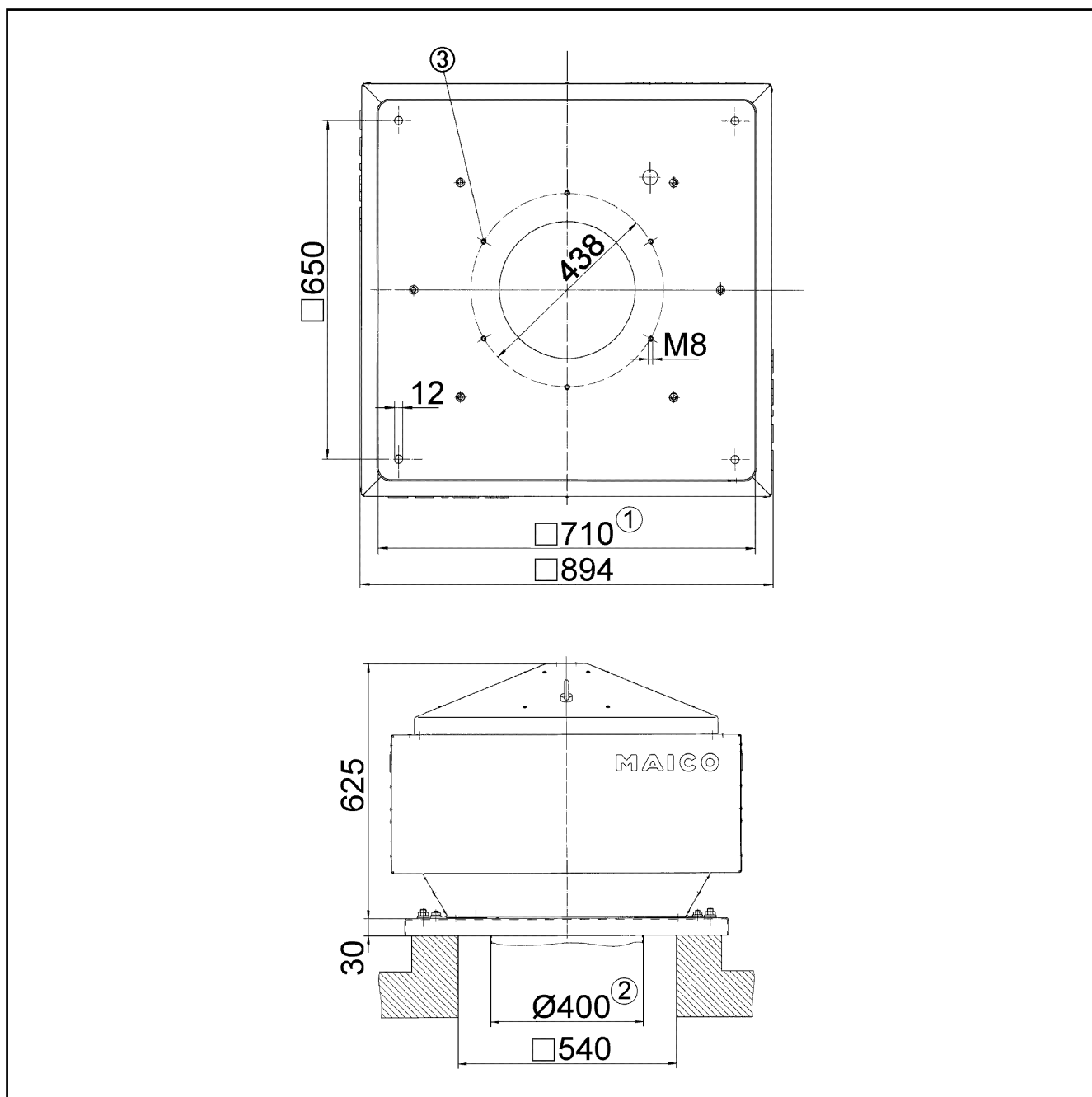
L_{WA8}= housing and free outlet sound power level in dB.

Characteristic curve



ERD 40/6 B

Dimensioned drawing [mm]



- ① Clear width
- ② External duct diameter
- ③ Number of holes: 12