

# ERH 10-04



## Short description

Electrical air heater, DN 100, alternating current

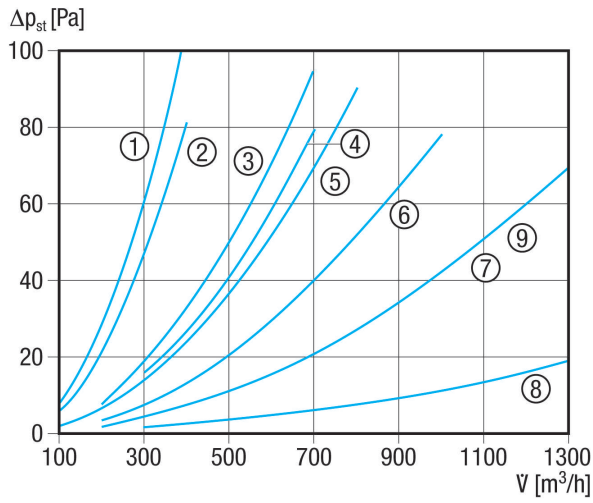
Article number 0082.0100

## Technical data

Type of voltage	Alternating current
Rated voltage	230 V
Frequency	50 Hz
$I_{max}$	1,74 A
Degree of protection	IP 43
Installation	inside and outside
Installation position	horizontal / vertical
Housing material	Sheet steel, galvanised
Weight	1,99 kg
Weight including packaging	2,29 kg
Nominal size	100 mm
Width	100 mm
Height	181 mm
Depth	375 mm
Width with packaging	260 mm
Height with packaging	195 mm
Depth with packaging	385 mm
Air heater type	electrical
Heater power rating	400 W
Packing unit	1 piece
Range	C
GTIN (EAN)	4012799821007

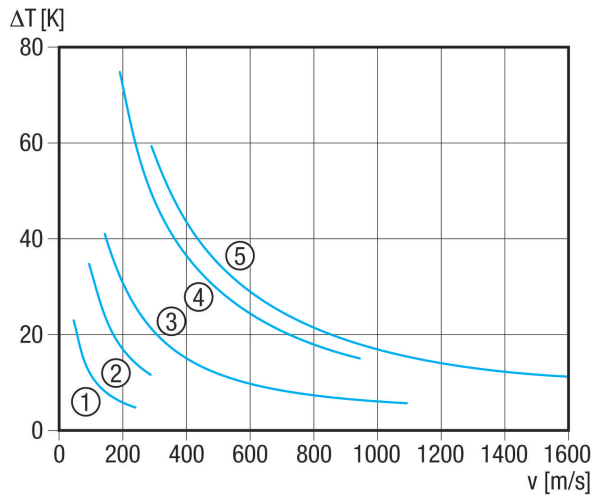
# ERH 10-04

## Characteristic curve Pressure losses



- ① DRH 16-5
- ② ERH 12-1
- ③ ERH 16-2
- ④ ERH 10-04
- ⑤ DRH 20-5
- ⑥ DRH 25-6
- ⑦ ERH 20-2
- ⑧ DRH 25-2
- ⑨ DRH 31-6

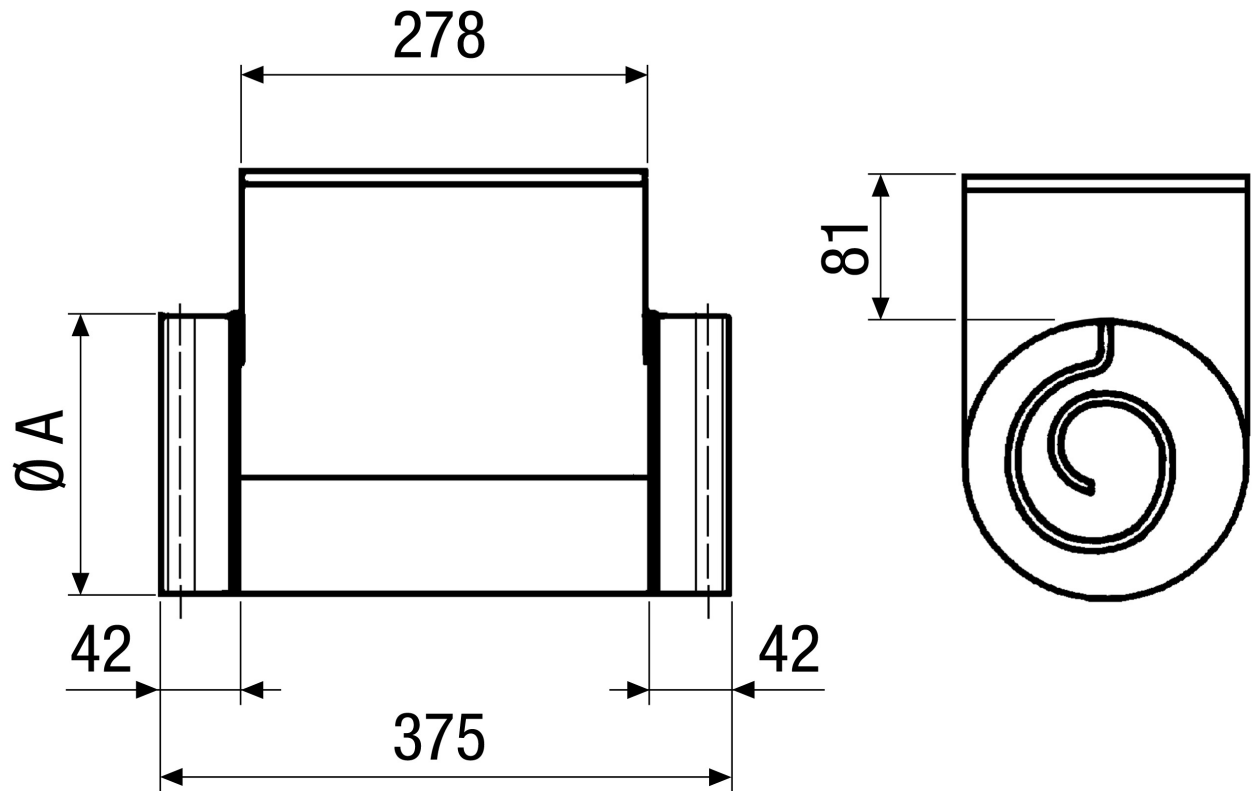
## Characteristic curve Temperature increase



- ① ERH 10-04
- ② ERH 12-1
- ③ ERH 16-2, ERH 20-2, ERH 25-2
- ④ DRH 16-5, DRH 20-5
- ⑤ DRH 25-6, DRH 31-6

# ERH 10-04

Dimensioned drawing [mm]



A  
100