

ERH 12-1



Short description

Electrical air heater, DN 125, 230 VAC / 50 Hz, 1.2 KW

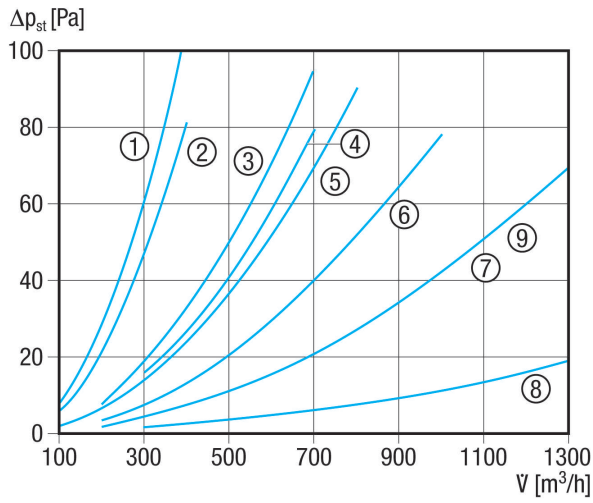
Article number 0082.0101

Technical data

Type of voltage	Alternating current
Rated voltage	230 V
Frequency	50 Hz
I_{max}	5,22 A
Degree of protection	IP 43
Installation	inside and outside
Installation position	horizontal / vertical
Housing material	Sheet steel, galvanised
Weight	2,59 kg
Weight including packaging	2,88 kg
Nominal size	125 mm
Width	125 mm
Height	206 mm
Depth	375 mm
Width with packaging	195 mm
Height with packaging	260 mm
Depth with packaging	385 mm
Air heater type	electrical
Heater power rating	1.200 W
Packing unit	1 piece
Range	C
GTIN (EAN)	4012799821014

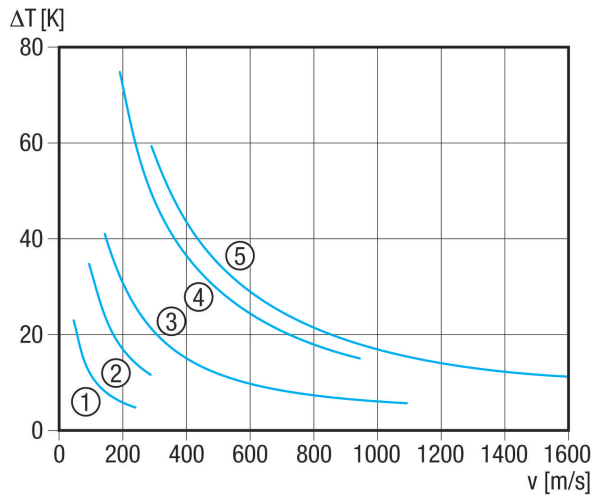
ERH 12-1

Characteristic curve Pressure losses



- ① DRH 16-5
- ② ERH 12-1
- ③ ERH 16-2
- ④ ERH 10-04
- ⑤ DRH 20-5
- ⑥ DRH 25-6
- ⑦ ERH 20-2
- ⑧ DRH 25-2
- ⑨ DRH 31-6

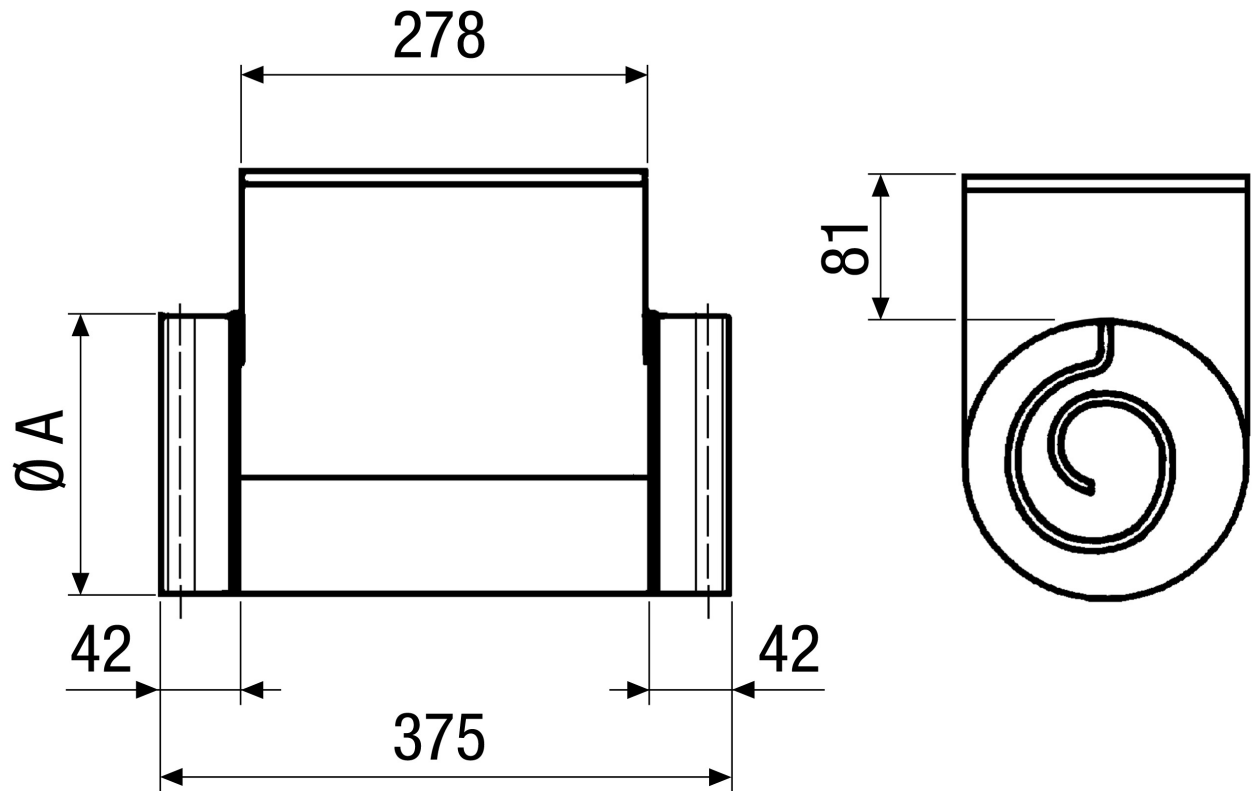
Characteristic curve Temperature increase



- ① ERH 10-04
- ② ERH 12-1
- ③ ERH 16-2, ERH 20-2, ERH 25-2
- ④ DRH 16-5, DRH 20-5
- ⑤ DRH 25-6, DRH 31-6

ERH 12-1

Dimensioned drawing [mm]



A
125