

ERM 22



Short description

Semi-centrifugal duct fan, single-phase AC, with 2 reducers to DN 200

Application examples

Commercial premises, Canteen, Air extraction system, Workshop, Workplace air extraction system

Article number 0080.0204

Technical data

Air flow volume	580 m ³ /h (Measured with 1 m duct on the inlet and outlet side)
Rotating speed	2.750 1/min
Speed controllable	✓
Type of voltage	Alternating current
Rated voltage	230 V
Frequency	50 Hz
Nominal output	165 W
I _{nom}	0,7 A
I _{max}	0,95 A
Degree of protection	IP 55
Insulation class	F
Mains cable	3 / 1,5 mm ²
Housing material	Synthetic material, shock-resistant
Colour	Pearl white, similar to RAL 1013
Weight	5,6 kg
Nominal size	200 mm
Airstream temperature at nominal current	-20 °C up to 60 °C
Airstream temperature at I _{Max}	-20 °C up to 60 °C
Packing unit	1 piece
Range	C
GTIN (EAN)	4012799802044

Sound power level in octave range

	63 Hz	125 Hz	250 Hz	500 Hz	1 kHz	2 kHz	4 kHz	8 kHz	Total
L_{WA2, S1} (dB(A))	25	26	22	24	30	35	21	15	37
L_{WA2, S2} (dB(A))	23	36	34	35	38	41	32	23	45

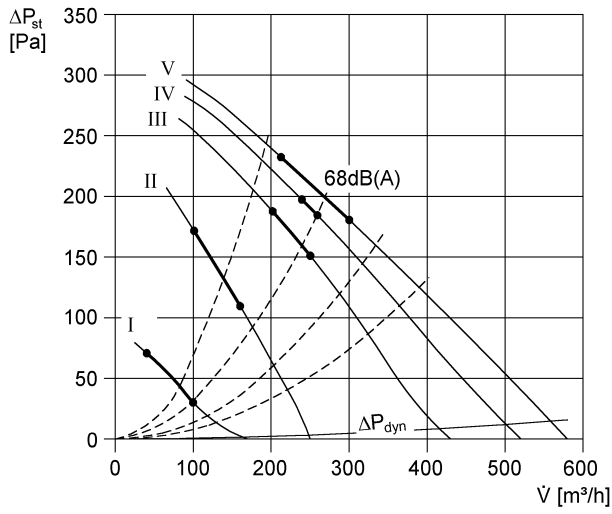
ERM 22

	63 Hz	125 Hz	250 Hz	500 Hz	1 kHz	2 kHz	4 kHz	8 kHz	Total
L_{WA2}, S3 (dB(A))	28	45	47	48	48	51	43	39	55
L_{WA2}, S4 (dB(A))	30	52	52	53	53	55	48	46	61
L_{WA2}, S5 (dB(A))	36	56	55	57	56	57	51	49	63
L_{WA5}, S1 (dB(A))	19	26	29	34	38	36	27	24	42
L_{WA5}, S2 (dB(A))	28	38	42	47	48	47	41	34	53
L_{WA5}, S3 (dB(A))	35	48	53	60	60	60	53	49	66
L_{WA5}, S4 (dB(A))	37	52	56	65	65	64	58	54	70
L_{WA5}, S5 (dB(A))	39	56	58	67	66	66	60	56	72
L_{WA6}, S1 (dB(A))	23	27	28	36	38	37	32	23	43
L_{WA6}, S2 (dB(A))	29	38	42	50	51	49	46	33	56
L_{WA6}, S3 (dB(A))	36	47	55	64	63	62	58	49	69
L_{WA6}, S4 (dB(A))	38	51	61	69	68	67	64	56	74
L_{WA6}, S5 (dB(A))	41	53	63	72	71	70	66	59	77

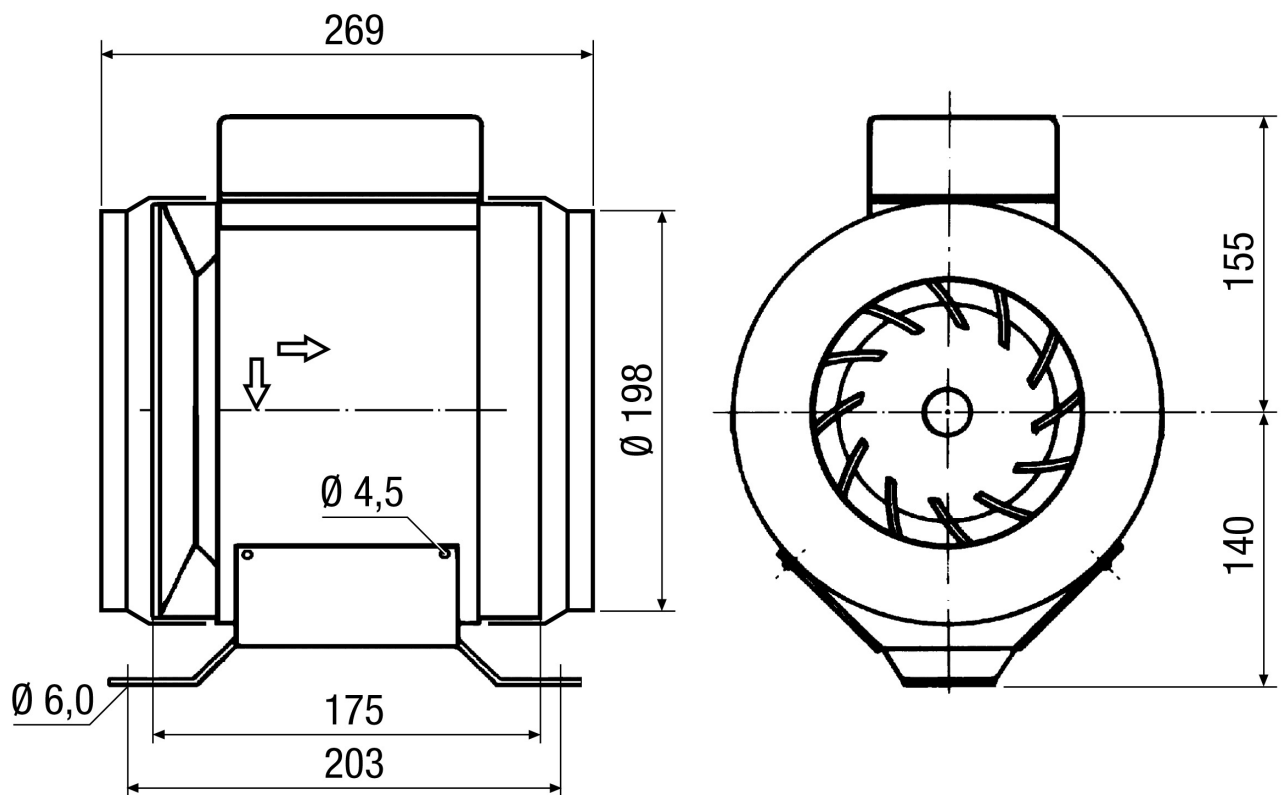
L_{WA2}= housing sound power level in dB.
 L_{WA5}= free inlet sound power level in dB.
 L_{WA6}= free outlet sound power level in dB.

ERM 22

Characteristic curve



Dimensioned drawing [mm]



ERM 22

