

ER - UPD



Short description

Recessed-mounted housing with fire protection shut-off device for fitting an ER 60 / ER 100 fan or Centro-M / Centro-E / Centro-H exhaust air element, second room connection possible on right/left/at bottom

Application examples

Bathroom, Kitchen, Multiple family unit, Day room, Dining room

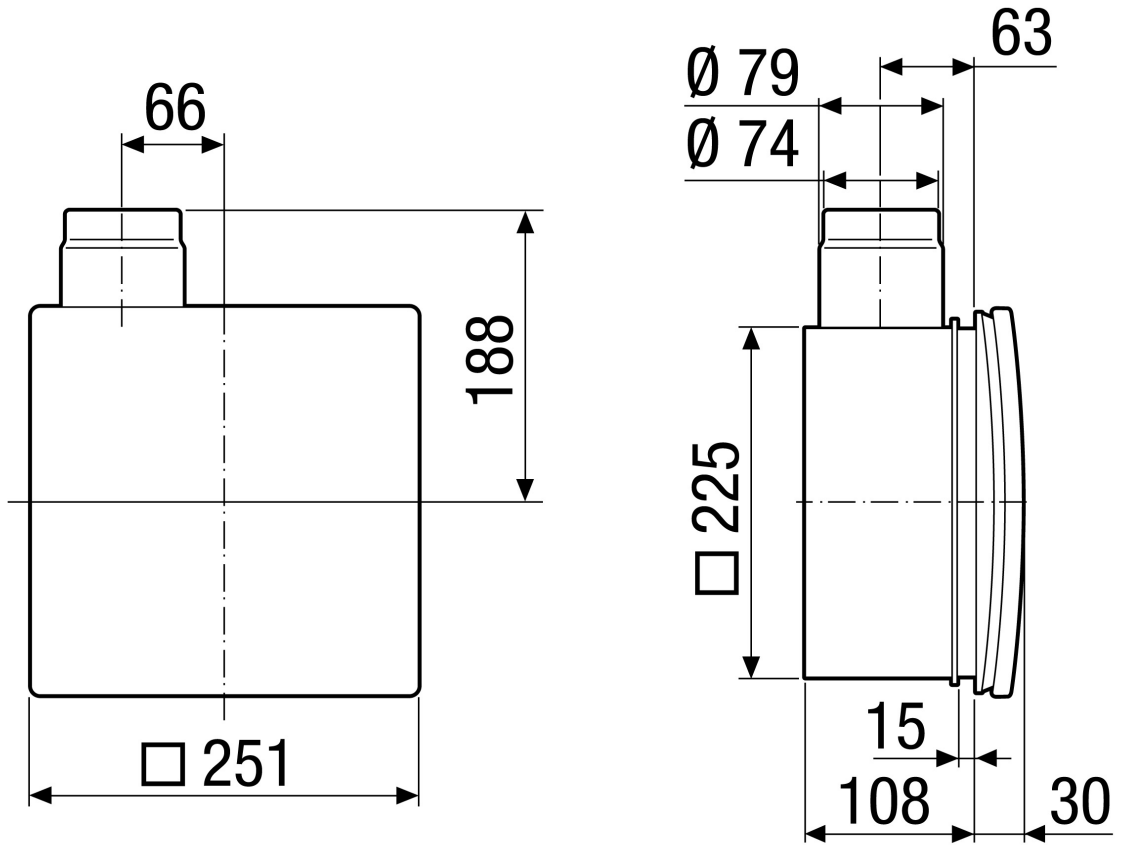
Article number 0093.0972

Technical data

| | |
|----------------------|---|
| Model | Metal exhaust socket at side with metal shut-off shutter, with airstream-operated triggering device, without fire protection housing, second room connection possible on right/left/at bottom |
| Air direction | Air extraction |
| Installation site | Wall / Ceiling |
| Type of installation | Recessed-mounted |
| Material | Synthetic material |
| Weight | 0,7 kg |
| Fire protection | yes |
| Shut-off device | integrated |
| Air outlet direction | at side |
| Connection diameter | 75 mm / 80 mm |
| Width | 225 mm |
| Height | 225 mm |
| Depth | 108 mm |
| Approval number | Z-51.1-46 |
| Packing unit | 1 piece |
| Range | B |
| GTIN (EAN) | 4012799939726 |

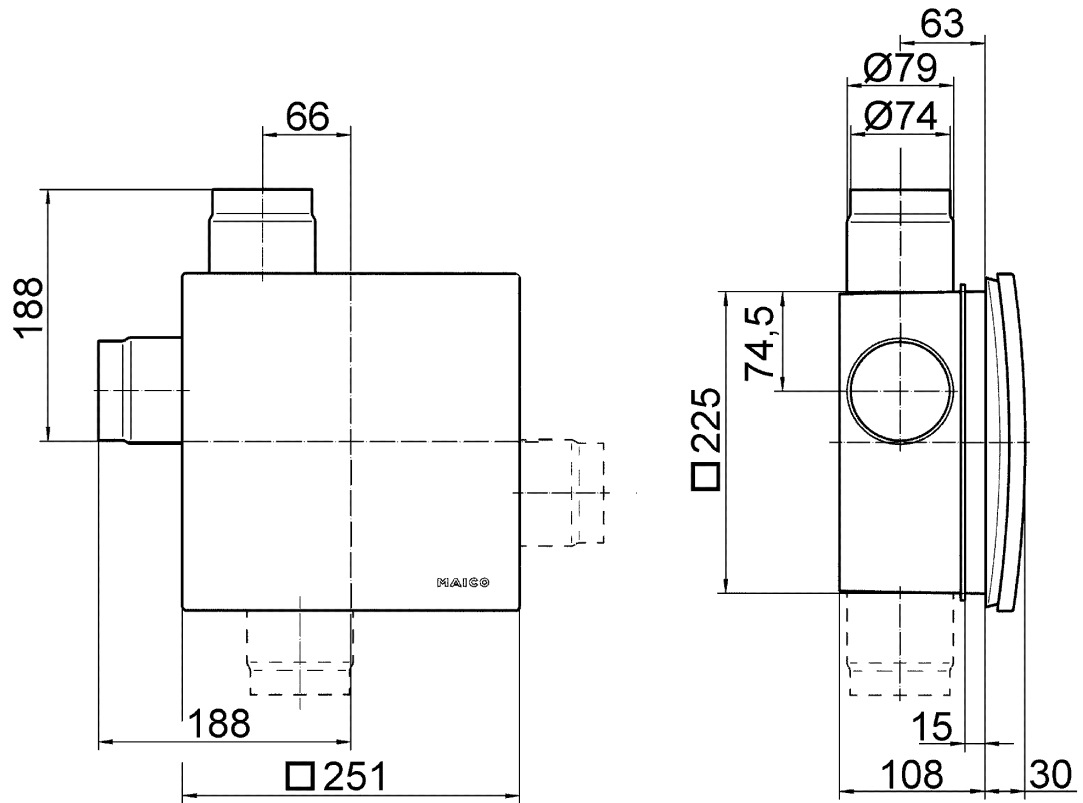
ER - UPD

Dimensioned drawing [mm]



ER - UPD

Dimensioned drawing [mm]



ER-UPD with second room connection