

ER 100 E



Short description

Fan insert with cover and filter for installation in ER-UP/GH recessed-mounted housing, air volume 100 m³/h

Application examples

Bathroom, Kitchen, Multiple family unit, Day room, Dining room

Article number 0084.0380

Technical data

Model	Standard model
Air flow volume	100 m ³ /h
Rotating speed	1.850 1/min
Air direction	Air extraction
Speed controllable	–
Type of voltage	Alternating current
Rated voltage	230 V
Frequency	50 Hz
Power consumption	29 W
I _{max}	0,15 A
Degree of protection	IP X5
Mains cable	3 x 1,5 mm ²
Installation site	Wall / Ceiling
Type of installation	Recessed-mounted
System type	Decentralised
Material	Synthetic material
Colour	Traffic white, similar to RAL 9016
Filter class	ISO Coarse 30 % (G2)
Air outlet direction	at rear
Airstream temperature at I _{Max}	40 °C
Sound pressure level	49 dB(A) (Specifications in accordance with DIN 18017-3 at an equivalent absorption area A _L = 10 m. ²)
Packing unit	1 piece

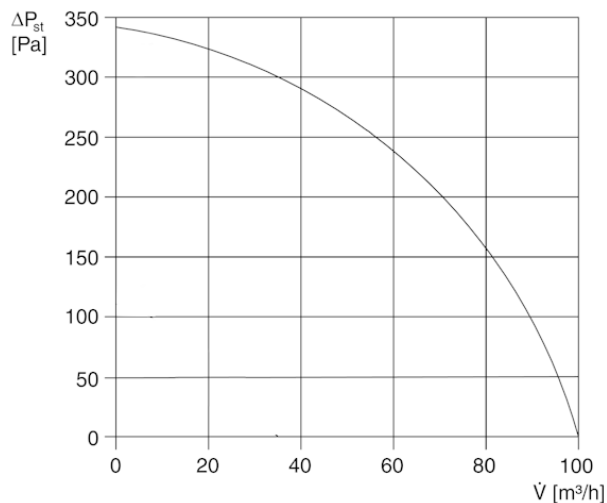
Sound power level in octave range

	63 Hz	125 Hz	250 Hz	500 Hz	1 kHz	2 kHz	4 kHz	8 kHz	Total
L _{WA7, high} (dB(A))	–	–	–	–	–	–	–	–	53

ER 100 E

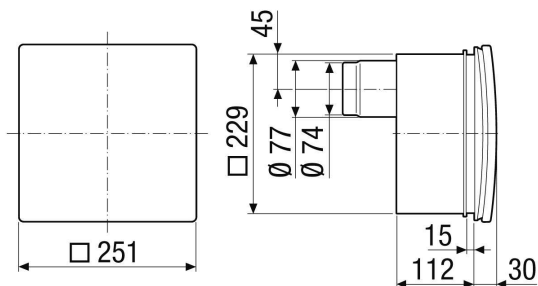
L_{WA7} = housing and free inlet sound power level in dB.

Characteristic curve



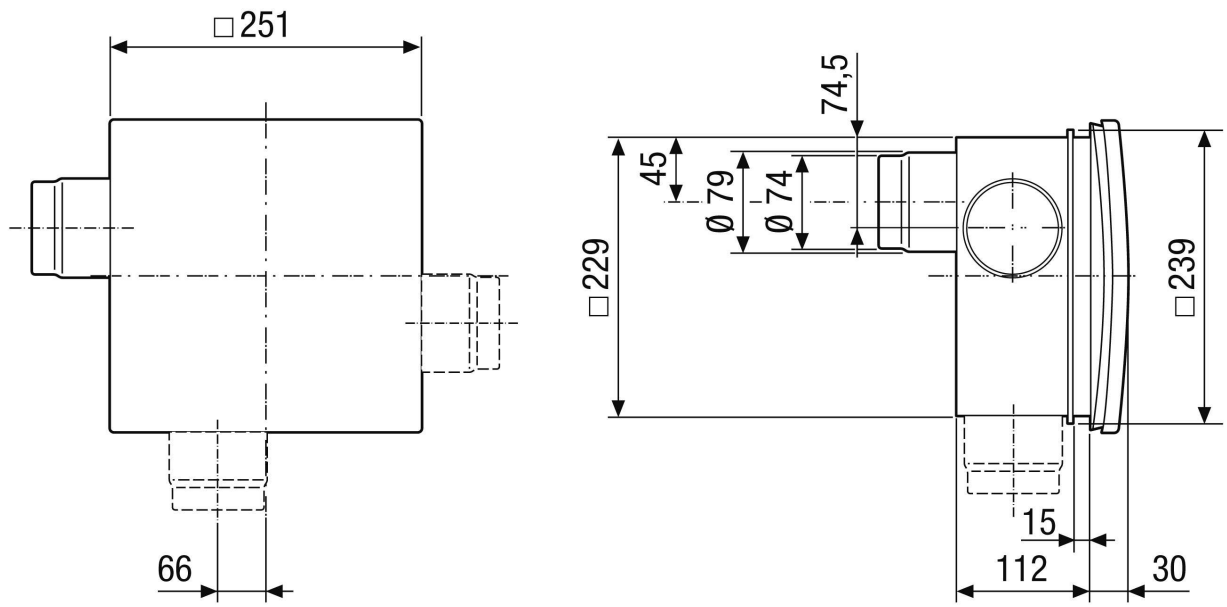
Dimensioned drawing [mm]

Fan insert ER ... E with ER-UP/GH recess-mounted housing



ER 100 E

Dimensioned drawing [mm]



Fan insert ER ... E with ER-UP/GH recess-mounted housing and second room connection