

# EV 26



## Short description

Window fan for air extraction

Article number 0080.0815

## Technical data

Air flow volume	550 m³/h
Rotating speed	1.230 1/min
Speed controllable	–
Nominal output	45 W
Power consumption	47 W
I <sub>nom</sub>	0,27 A
I <sub>max</sub>	0,29 A
Weight	4,42
Sound pressure level	53 dB(A)
Packing unit	1 piece
Range	C
GTIN (EAN)	4012799808152

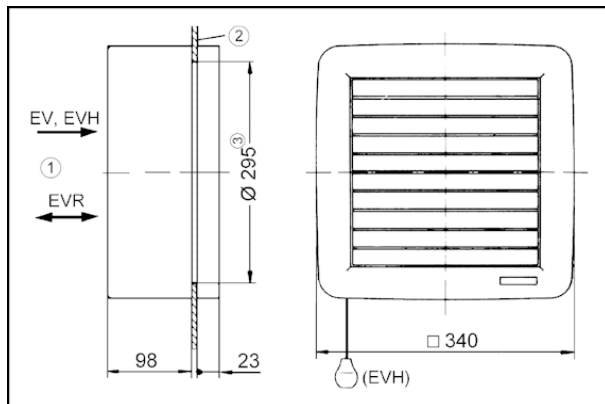
## Sound power level in octave range

	63 Hz	125 Hz	250 Hz	500 Hz	1 kHz	2 kHz	4 kHz	8 kHz	Total
L <sub>WA7, high</sub> (dB(A))	–	–	–	–	–	–	–	–	60

L<sub>WA7</sub>= housing and free inlet sound power level in dB.

# EV 26

Dimensioned drawing [mm]



- ① Inside
- ② Window pane
- ③ Window cut-out:  $\varnothing$  285 mm