

# EZD 25/2 B



## Short description

Axial roof fan, horizontal air outlet, DN 250, single-phase AC

## Application examples

Production facility, Workplace, Commercial premises, Restaurant, Showroom

Article number 0087.0202

## Technical data

Air flow volume	1.900 m <sup>3</sup> /h
Air volume $e_{nom}$	1.290 m <sup>3</sup> /h (in opt. efficiency)
Pressure $p_{fs, nom}$	112 Pa (in opt. efficiency)
Rotating speed $n_{nom}$	2.930 1/min (in opt. efficiency)
Rotating speed	2.954 1/min
Impeller type	axial
Speed controllable	✓
Reversing capacity	✓
Type of voltage	Alternating current
Rated voltage	230 V
Frequency	50 Hz
Nominal output	180 W (in opt. efficiency)
$I_{nom}$	1 A (in opt. efficiency)
$I_{max}$	1,3 A
Degree of protection	IP 55
Insulation class	F
Installation site	Roof
Installation position	vertical
Material	Sheet steel, galvanised
Colour	Silver
Weight	16,87 kg
Weight including packaging	19,24 kg
Nominal size	250 mm
Width	570 mm
Height	570 mm
Depth	325 mm
Width with packaging	615 mm
Height with packaging	615 mm
Depth with packaging	375 mm

# EZD 25/2 B

Airstream temperature at nominal current	-20 °C up to 60 °C
Airstream temperature at I <sub>Max</sub>	-20 °C up to 60 °C
Packing unit	1 piece
Range	C
GTIN (EAN)	4012799872023

## Technical data according to ErP in Best Efficiency Point (BEP)

Total efficiency $\eta$	29,2 %
Measurement category	C
Efficiency category	static
Efficiency level N	40,2
Year of manufacture	see rating plate
Manufacturer's name / official registration number / manufacturer's place of establishment	Maico Elektroapparate-Fabrik GmbH / Freiburg registration court, HRB 601233 / Villingen-Schwenningen
Art. No.	0087.0202
P <sub>BEP</sub> / Air volume <sub>BEP</sub> / P <sub>fs, BEP</sub>	0,185 kW / 1.570 m <sup>3</sup> /h / 124 Pa
n <sub>BEP</sub>	2.920 1/min
Specific ratio	≈ 1
Information about dismantling and disposal	see mounting instructions
Information about installation, operation and repairs	see mounting instructions
Objects used to measure efficiency which are not described by the measurement category	Calculation of energy efficiency without protective grille and roof cowl.
Sound power level L <sub>WA7</sub>	86 dB(A)

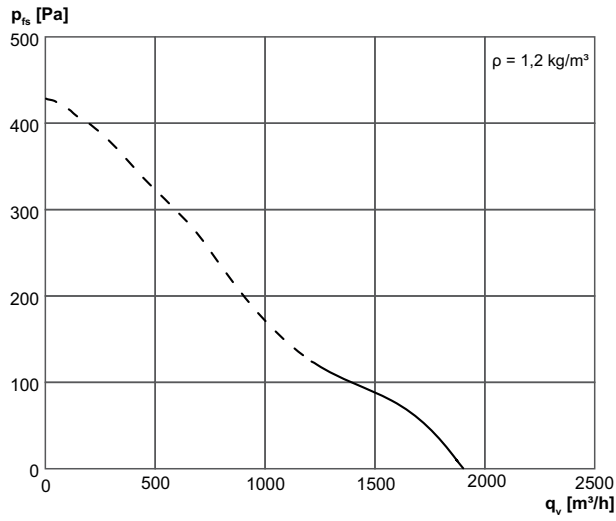
## Sound power level in octave range

	63 Hz	125 Hz	250 Hz	500 Hz	1 kHz	2 kHz	4 kHz	8 kHz	Total
<b>L<sub>WA7, high</sub> (dB(A))</b>	50	58	77	79	83	79	75	67	90

L<sub>WA7</sub>= housing and free inlet sound power level in dB.

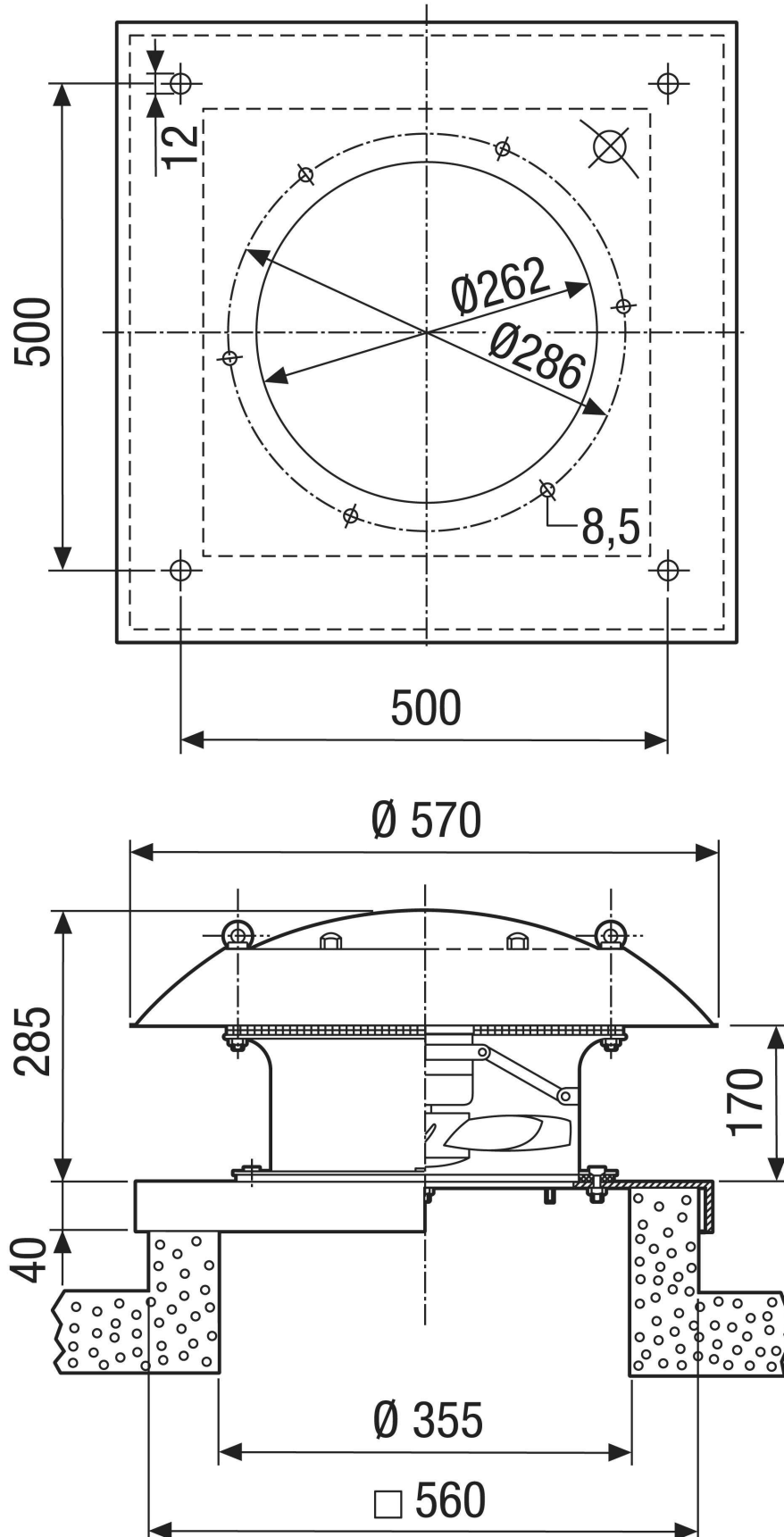
# EZD 25/2 B

## Characteristic curve



# EZD 25/2 B

Dimensioned drawing [mm]



EZD 25/2 B

