

# EZD 25/4 D



## Short description

Axial roof fan, horizontal air outlet, DN 250, single-phase AC

## Application examples

Production facility, Workplace, Commercial premises, Restaurant, Showroom

Article number 0087.0487

## Technical data

Air flow volume	750 m <sup>3</sup> /h
Rotating speed	1.425 1/min
Impeller type	axial
Speed controllable	✓
Reversing capacity	✓
Type of voltage	Alternating current
Rated voltage	230 V
Frequency	50 Hz
Nominal output	35 W
I <sub>nom</sub>	0,14 A
I <sub>max</sub>	0,16 A
Degree of protection	IP 54
Insulation class	B
Installation site	Roof
Installation position	vertical
Material	Sheet steel, galvanised
Colour	Silver
Weight	11,66 kg
Weight including packaging	14,08 kg
Nominal size	250 mm
Width	570 mm
Height	570 mm
Depth	325 mm
Width with packaging	610 mm
Height with packaging	610 mm
Depth with packaging	360 mm
Airstream temperature at nominal current	-20 °C up to 60 °C
Airstream temperature at I <sub>Max</sub>	-20 °C up to 60 °C
Packing unit	1 piece

# EZD 25/4 D

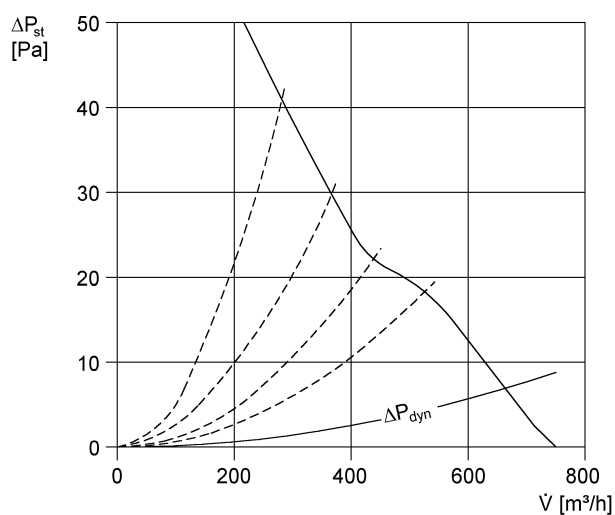
Range	C
GTIN (EAN)	4012799874874

## Sound power level in octave range

	63 Hz	125 Hz	250 Hz	500 Hz	1 kHz	2 kHz	4 kHz	8 kHz	Total
<b>L<sub>WA7, S5</sub></b> <b>(dB(A))</b>	34	55	58	57	59	59	54	42	64

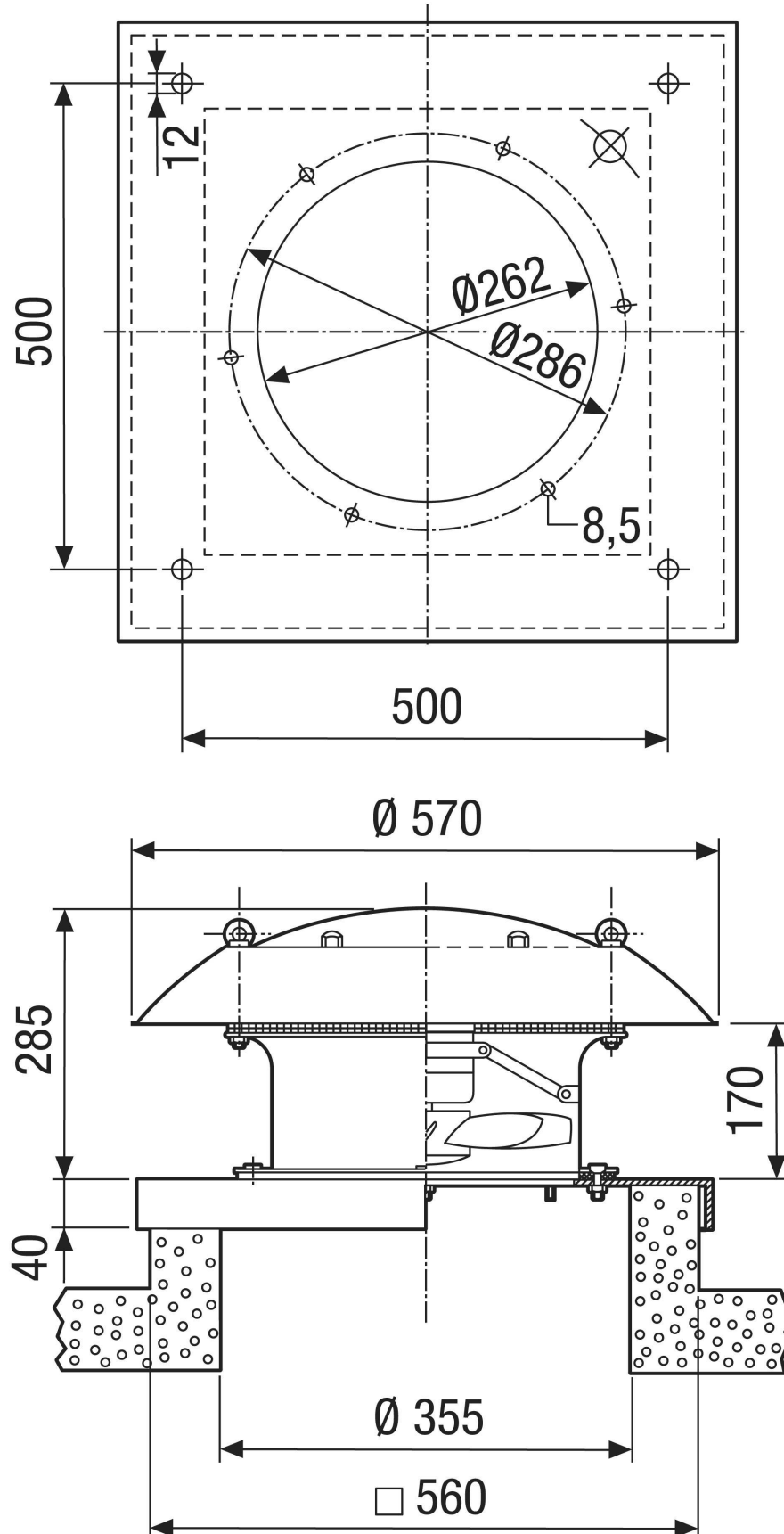
L<sub>WA7</sub>= housing and free inlet sound power level in dB.

## Characteristic curve



# EZD 25/4 D

Dimensioned drawing [mm]



# EZD 25/4 D

