

# EZD 30/6 B



## Short description

Axial roof fan, horizontal air outlet, DN 300, single-phase AC

## Application examples

Production facility, Workplace, Commercial premises, Restaurant, Showroom

Article number 0087.0203

## Technical data

Air flow volume	880 m <sup>3</sup> /h
Rotating speed	940 1/min
Impeller type	axial
Speed controllable	✓
Reversing capacity	✓
Type of voltage	Alternating current
Rated voltage	230 V
Frequency	50 Hz
Nominal output	65 W
I <sub>nom</sub>	0,33 A
I <sub>max</sub>	0,33 A
Degree of protection	IP 55
Insulation class	B
Installation site	Roof
Installation position	vertical
Material	Sheet steel, galvanised
Colour	Silver
Weight	15,61 kg
Weight including packaging	19,56 kg
Nominal size	300 mm
Width	570 mm
Height	570 mm
Depth	375 mm
Width with packaging	725 mm
Height with packaging	725 mm
Depth with packaging	430 mm
Airstream temperature at nominal current	-20 °C up to 60 °C
Airstream temperature at I <sub>Max</sub>	-20 °C up to 60 °C
Packing unit	1 piece

# EZD 30/6 B

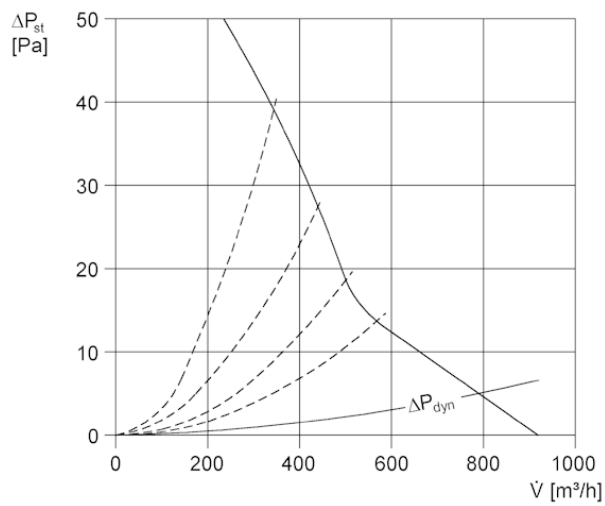
Range	C
GTIN (EAN)	4012799872030

## Sound power level in octave range

	63 Hz	125 Hz	250 Hz	500 Hz	1 kHz	2 kHz	4 kHz	8 kHz	Total
<b>L<sub>WA7, S5</sub></b> <b>(dB(A))</b>	46	45	53	58	58	57	50	38	60

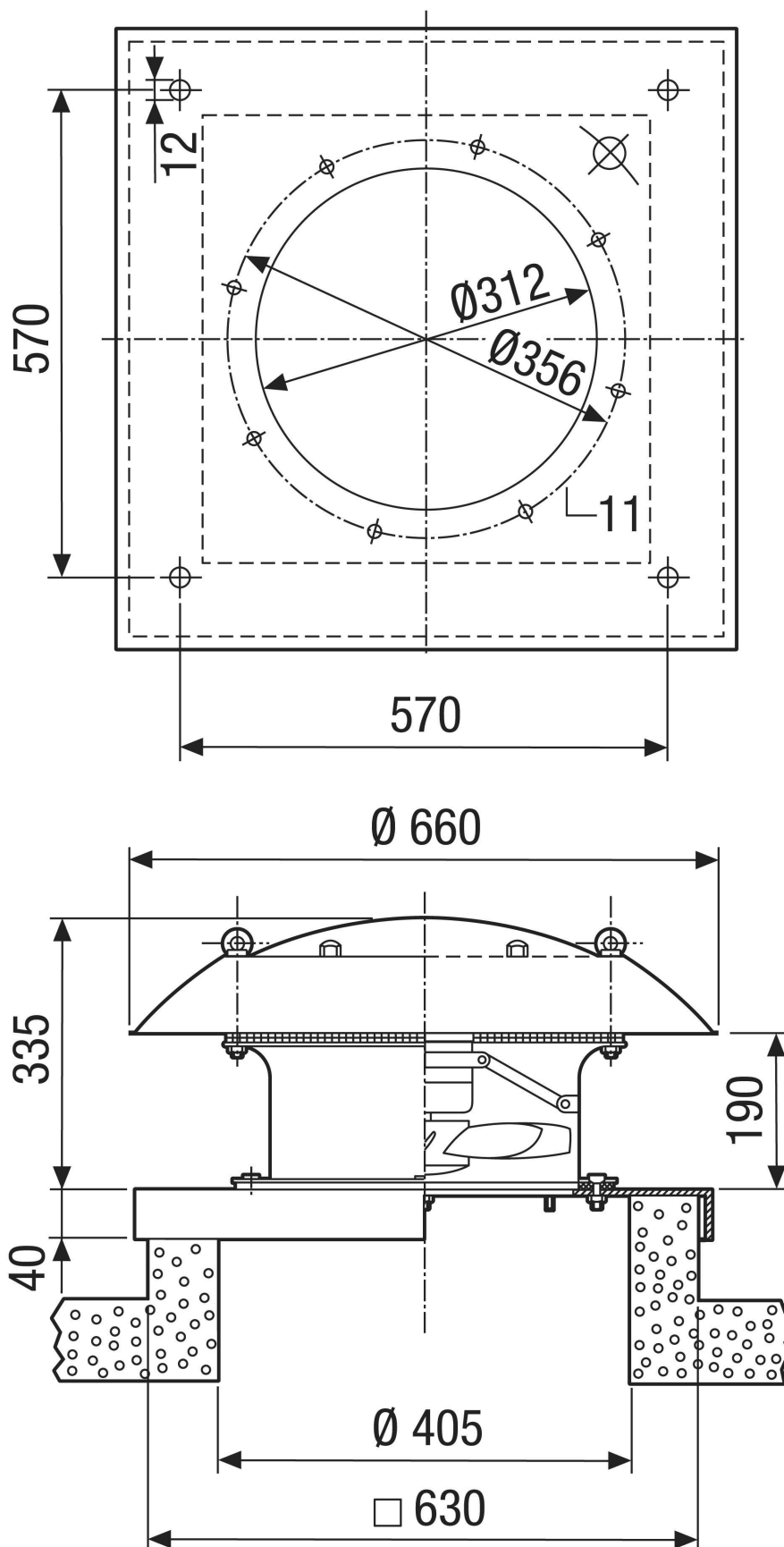
L<sub>WA7</sub>= housing and free inlet sound power level in dB.

## Characteristic curve



# EZD 30/6 B

Dimensioned drawing [mm]



# EZD 30/6 B

