

EZD 35/4 B



Short description

Axial roof fan, horizontal air outlet, DN 355, single-phase AC

Application examples

Production facility, Workplace, Commercial premises, Restaurant, Showroom

Article number 0087.0207

Technical data

Air flow volume	2.280 m ³ /h
Air volume _{nom}	1.330 m ³ /h (in opt. efficiency)
Pressure p _{fs, nom}	65 Pa (in opt. efficiency)
Rotating speed n _{nom}	1.450 1/min (in opt. efficiency)
Rotating speed	1.457 1/min
Impeller type	axial
Speed controllable	–
Reversing capacity	✓
Type of voltage	Alternating current
Rated voltage	230 V
Frequency	50 Hz
Nominal output	125 W (in opt. efficiency)
I _{nom}	0,5 A (in opt. efficiency)
I _{max}	0,65 A
Degree of protection	IP 55
Insulation class	B
Installation site	Roof
Installation position	vertical
Material	Sheet steel, galvanised
Colour	Silver
Weight	23,41 kg
Weight including packaging	28 kg
Nominal size	355 mm
Width	720 mm
Height	720 mm
Depth	380 mm
Width with packaging	790 mm
Height with packaging	790 mm
Depth with packaging	425 mm

EZD 35/4 B

Airstream temperature at nominal current	-20 °C up to 60 °C
Airstream temperature at I _{Max}	-20 °C up to 60 °C
Packing unit	1 piece
Range	C
GTIN (EAN)	4012799872078

Technical data according to ErP in Best Efficiency Point (BEP)

Total efficiency η	31,4 %
Measurement category	C
Efficiency category	static
Efficiency level N	43,6
Year of manufacture	see rating plate
Manufacturer's name / official registration number / manufacturer's place of establishment	Maico Elektroapparate-Fabrik GmbH / Freiburg registration court, HRB 601233 / Villingen-Schwenningen
Art. No.	0087.0207
P _{BEP} / Air volume _{BEP} / P _{fs, BEP}	0,12 kW / 2.090 m ³ /h / 65 Pa
n _{BEP}	1.455 1/min
Specific ratio	≈ 1
Information about dismantling and disposal	see mounting instructions
Information about installation, operation and repairs	see mounting instructions
Objects used to measure efficiency which are not described by the measurement category	Calculation of energy efficiency without protective grille and roof cowl.
Sound power level L _{WA7}	78 dB(A)

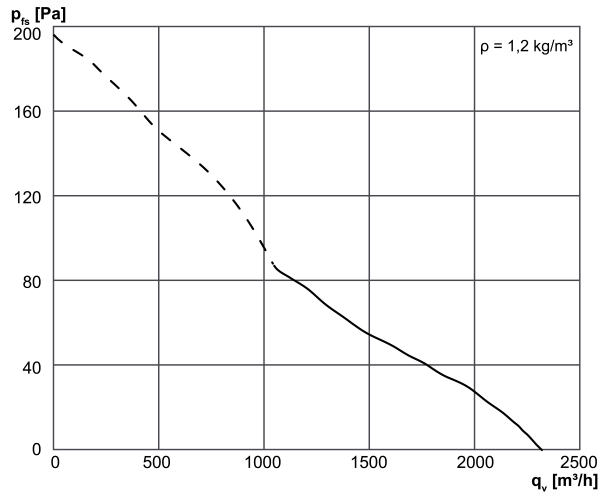
Sound power level in octave range

	63 Hz	125 Hz	250 Hz	500 Hz	1 kHz	2 kHz	4 kHz	8 kHz	Total
L_{WA7, S5} (dB(A))	44	58	67	73	73	72	67	57	75

L_{WA7}= housing and free inlet sound power level in dB.

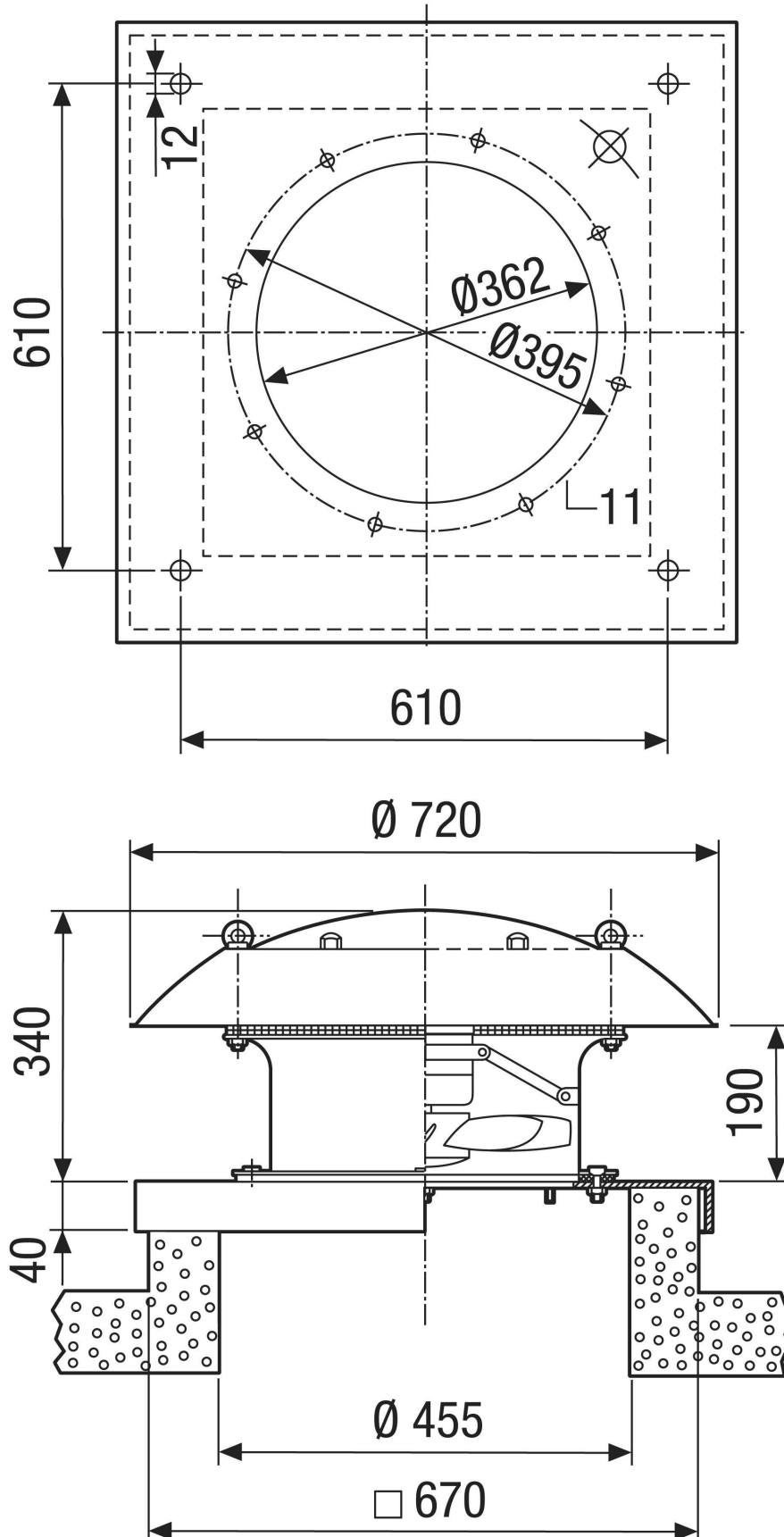
EZD 35/4 B

Characteristic curve



EZD 35/4 B

Dimensioned drawing [mm]



EZD 35/4 B

