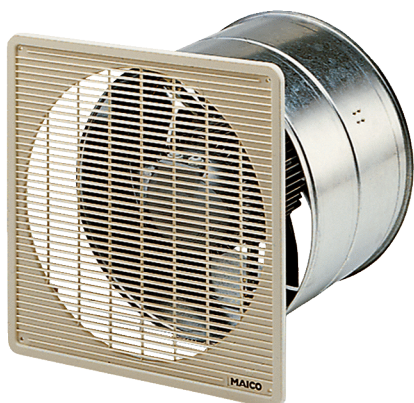


# EZF 40/4 B



## Short description

Axial built-in wall fan for flush-mounted installation, DN400, single-phase AC

## Application examples

Changing room, Foreman's office, Restaurant, Garage, Fitness room

Article number 0085.0058

## Technical data

Model	Wall sleeve
Air flow volume	4.170 m <sup>3</sup> /h
Air volume <sub>nom</sub>	2.820 m <sup>3</sup> /h (in opt. efficiency)
Pressure p <sub>fs, nom</sub>	78 Pa (in opt. efficiency)
Rotating speed n <sub>nom</sub>	1.410 1/min (in opt. efficiency)
Rotating speed	1.433 1/min
Impeller type	axial
Speed controllable	✓
Reversing capacity	✓
Type of voltage	Alternating current
Rated voltage	230 V
Frequency	50 Hz
Nominal output	230 W (in opt. efficiency)
I <sub>nom</sub>	0,95 A (in opt. efficiency)
I <sub>max</sub>	1,6 A
Degree of protection	IP 55
Insulation class	B
Mains cable	3 x 1,5 mm <sup>2</sup>
Installation site	Wall / Ceiling
Type of installation	Recessed-mounted
Installation position	horizontal / vertical
Material	Sheet steel, galvanised
Colour	Silver
Weight	10,58 kg
Weight including packaging	12,14 kg
Nominal size	400 mm
Width	470 mm
Height	470 mm
Depth	300 mm

# EZF 40/4 B

Width with packaging	495 mm
Height with packaging	495 mm
Depth with packaging	340 mm
Airstream temperature at $I_{Max}$	-20 °C up to 60 °C
Packing unit	1 piece
Range	C
GTIN (EAN)	4012799850588

## Technical data according to ErP in Best Efficiency Point (BEP)

Total efficiency $\eta$	30,7 %
Measurement category	A
Efficiency category	static
Efficiency level N	41,1
VSD necessary	No
Year of manufacture	see rating plate
Manufacturer's name / official registration number / manufacturer's place of establishment	Maico Elektroapparate-Fabrik GmbH / Freiburg registration court, HRB 601233 / Villingen-Schwenningen
Art. No.	0085.0058
$P_{BEP}$ / Air volume $_{BEP}$ / $P_{fs, BEP}$	0,225 kW / 2.760 m <sup>3</sup> /h / 90 Pa
$n_{BEP}$	1.415 1/min
Specific ratio	$\approx 1$
Information about dismantling and disposal	see mounting instructions
Information about installation, operation and repairs	see mounting instructions
Objects used to measure efficiency which are not described by the measurement category	Calculation of energy efficiency without protective grille.
Sound power level $L_{WA7}$	80 dB(A)

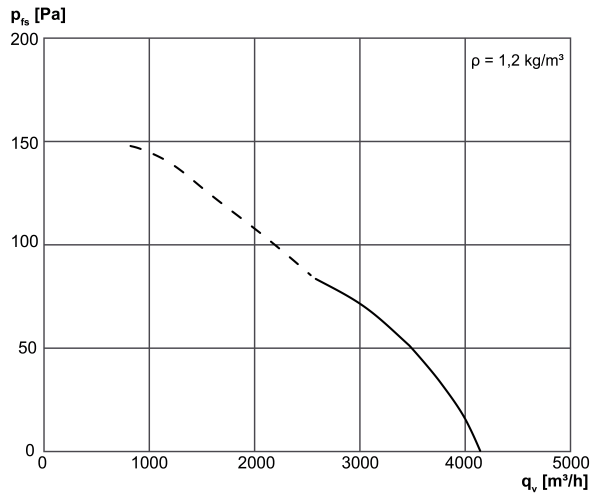
## Sound power level in octave range

	63 Hz	125 Hz	250 Hz	500 Hz	1 kHz	2 kHz	4 kHz	8 kHz	Total
<b><math>L_{WA7, S5}</math> (dB(A))</b>	-	-	-	-	-	-	-	-	80

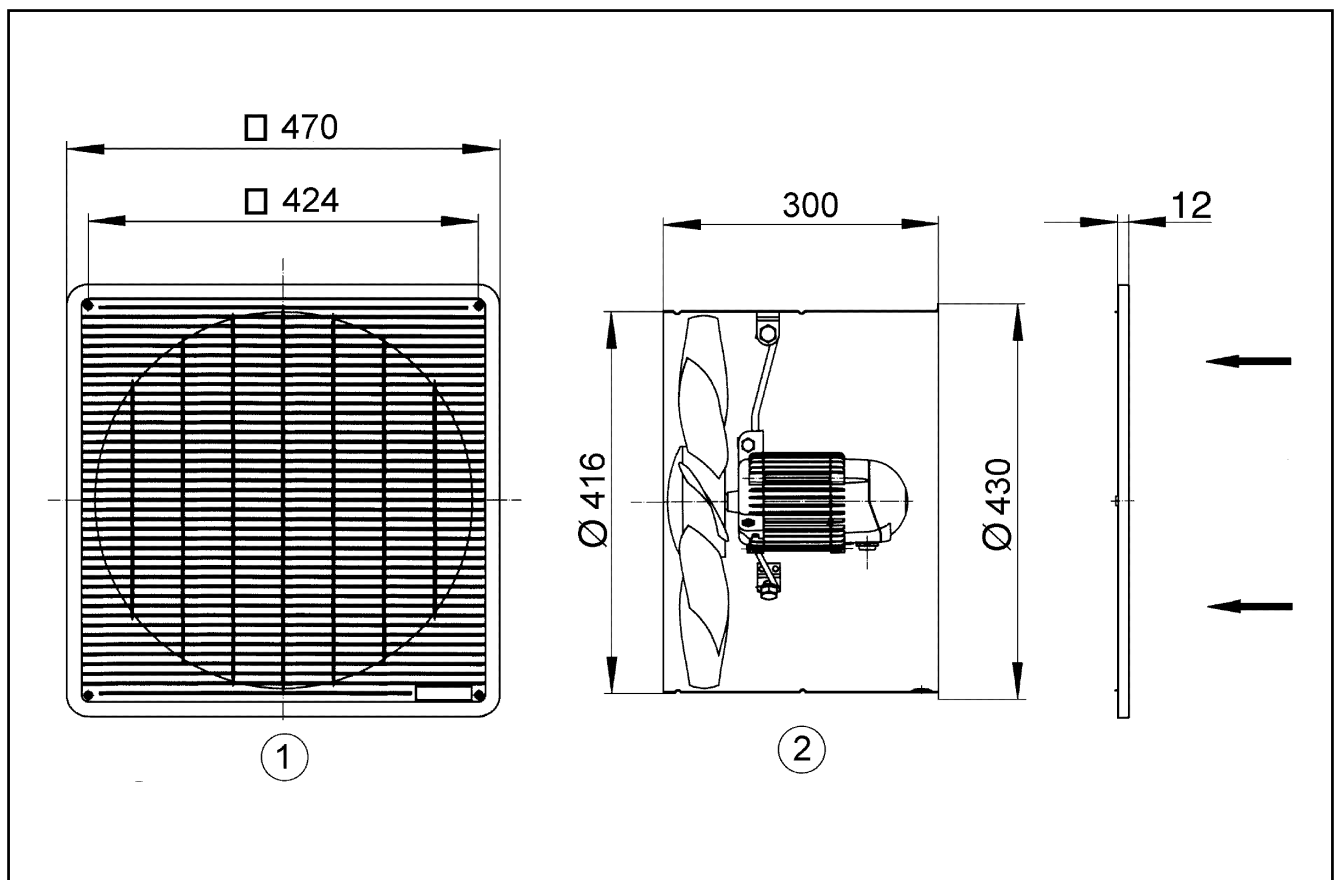
$L_{WA7}$ = housing and free inlet sound power level in dB.

# EZF 40/4 B

## Characteristic curve



## Dimensioned drawing [mm]



- ① Protective grille on intake side
- ② Air flow direction with air drawn across the motor

# EZF 40/4 B

