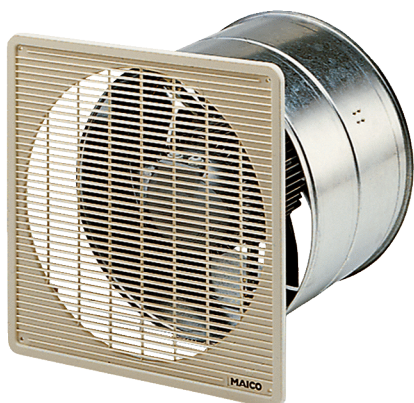


EZF 50/8 B



Short description

Axial built-in wall fan for flush-mounted installation, DN500, single-phase AC

Application examples

Changing room, Foreman's office, Restaurant, Garage, Fitness room

Article number 0085.0061

Technical data

Model	Wall sleeve
Air flow volume	3.800 m ³ /h
Rotating speed	715 1/min
Impeller type	axial
Speed controllable	✓
Reversing capacity	✓
Type of voltage	Alternating current
Rated voltage	230 V
Frequency	50 Hz
Nominal output	110 W
I _{nom}	0,5 A
I _{max}	0,65 A
Degree of protection	IP 55
Insulation class	B
Mains cable	3 x 1,5 mm ²
Installation site	Wall / Ceiling
Type of installation	Recessed-mounted
Installation position	horizontal / vertical
Material	Sheet steel, galvanised
Colour	Silver
Weight	14,76 kg
Weight including packaging	16,76 kg
Nominal size	500 mm
Width	580 mm
Height	580 mm
Depth	315 mm
Width with packaging	595 mm
Height with packaging	595 mm
Depth with packaging	340 mm

EZF 50/8 B

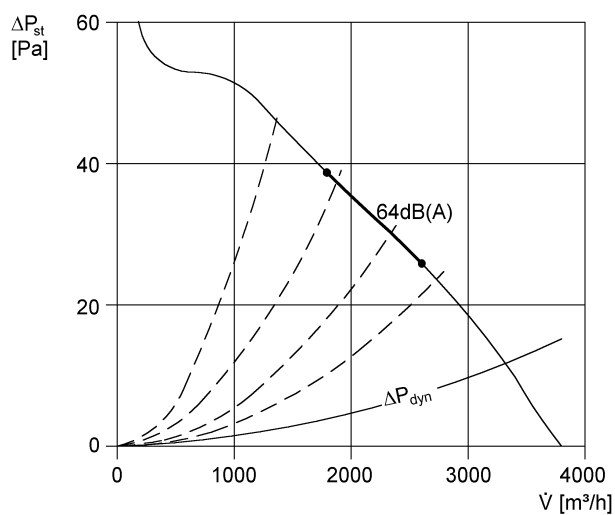
Airstream temperature at nominal current	-20 °C up to 60 °C
Airstream temperature at I_{Max}	-20 °C up to 60 °C
Packing unit	1 piece
Range	C
GTIN (EAN)	4012799850618

Sound power level in octave range

	63 Hz	125 Hz	250 Hz	500 Hz	1 kHz	2 kHz	4 kHz	8 kHz	Total
$L_{WA7, S5}$ (dB(A))	44	56	62	61	62	59	52	40	68

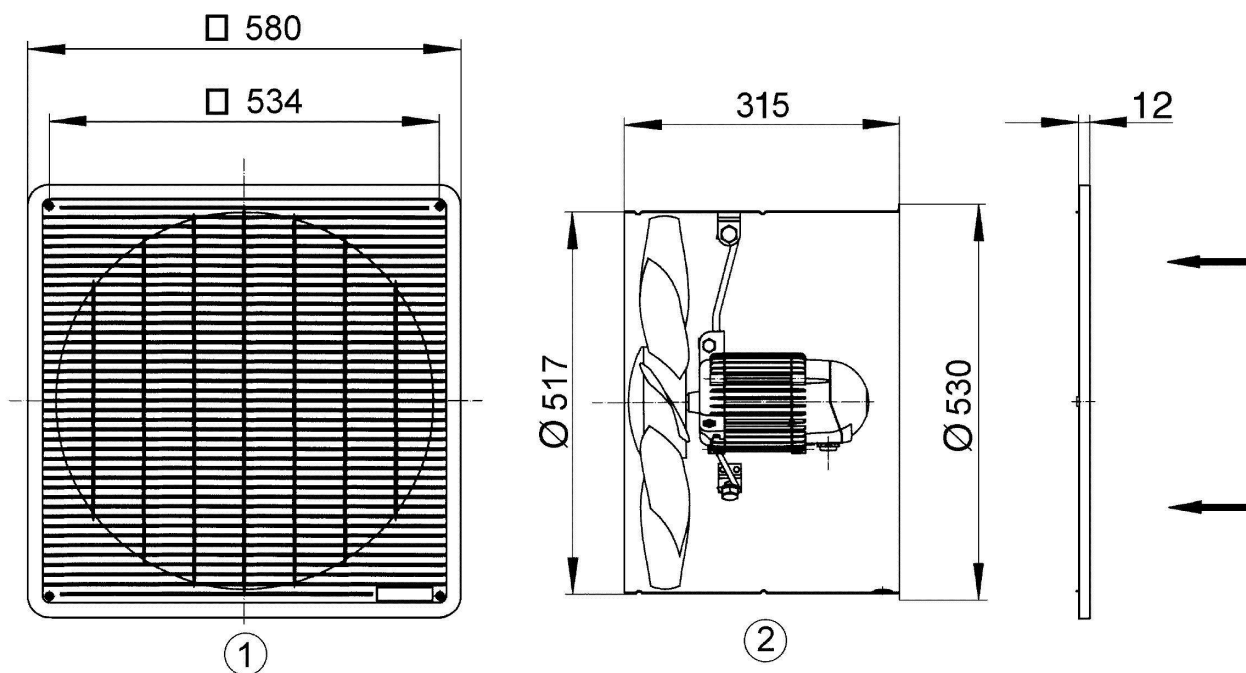
L_{WA7} = housing and free inlet sound power level in dB.

Characteristic curve



EZF 50/8 B

Dimensioned drawing [mm]



- ① Protective grille on intake side
- ② Air flow direction with air drawn across the motor