

EZR 25/4 D



Short description

Axial duct fan, DN 250, alternating current

Application examples

Machine extraction unit, Showroom, Foreman's office, Workshop, Production site

Article number 0086.0487

Technical data

Air flow volume	1.000 m³/h
Rotating speed	1.425 1/min
Impeller type	axial
Speed controllable	✓
Reversing capacity	✓
Type of voltage	Alternating current
Rated voltage	230 V
Frequency	50 Hz
Nominal output	32 W
I _{nom}	0,16 A
I _{max}	0,19 A
Degree of protection	IP 54
Insulation class	B
Pole-changeable	–
Installation position	horizontal / vertical
Material	Sheet steel, galvanised
Colour	Silver
Weight	5,79 kg
Weight including packaging	6,62 kg
Nominal size	250 mm
Width	304 mm
Height	372 mm
Depth	300 mm
Width with packaging	420 mm
Height with packaging	430 mm
Depth with packaging	330 mm
Airstream temperature at nominal current	-20 °C up to 60 °C
Airstream temperature at I _{Max}	-20 °C up to 60 °C
Packing unit	1 piece

EZR 25/4 D

Range	C
GTIN (EAN)	4012799864875

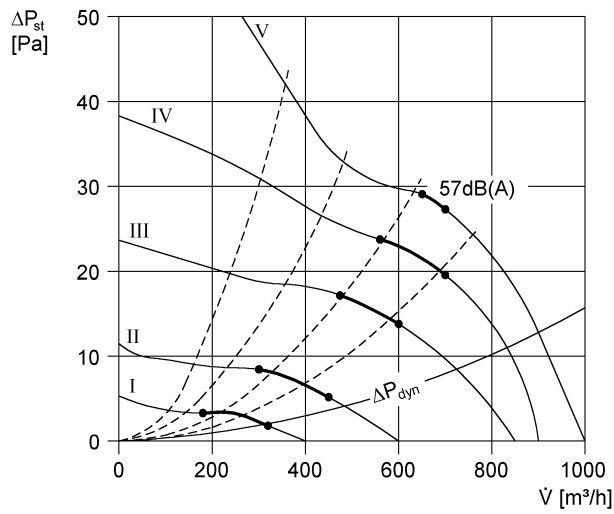
Sound power level in octave range

	63 Hz	125 Hz	250 Hz	500 Hz	1 kHz	2 kHz	4 kHz	8 kHz	Total
L_{WA2}, S1 (dB(A))	4	14	13	11	11	1	1	-6	19
L_{WA2}, S2 (dB(A))	10	27	23	29	28	22	10	-2	34
L_{WA2}, S3 (dB(A))	14	34	31	39	38	35	28	16	44
L_{WA2}, S4 (dB(A))	15	37	35	43	42	39	33	23	47
L_{WA2}, S5 (dB(A))	16	33	38	45	44	42	36	27	50
L_{WA5}, S1 (dB(A))	17	21	27	23	26	18	12	-2	31
L_{WA5}, S2 (dB(A))	16	35	40	39	43	41	30	14	47
L_{WA5}, S3 (dB(A))	20	40	48	47	52	51	43	28	56
L_{WA5}, S4 (dB(A))	23	41	48	50	54	54	46	32	59
L_{WA5}, S5 (dB(A))	23	36	52	53	56	55	49	35	61
L_{WA6}, S1 (dB(A))	18	23	26	27	27	21	7	0	32
L_{WA6}, S2 (dB(A))	20	37	39	42	44	42	31	15	48
L_{WA6}, S3 (dB(A))	25	42	48	53	54	54	46	33	59
L_{WA6}, S4 (dB(A))	27	44	50	56	58	58	50	38	63
L_{WA6}, S5 (dB(A))	29	42	52	58	60	60	53	45	65

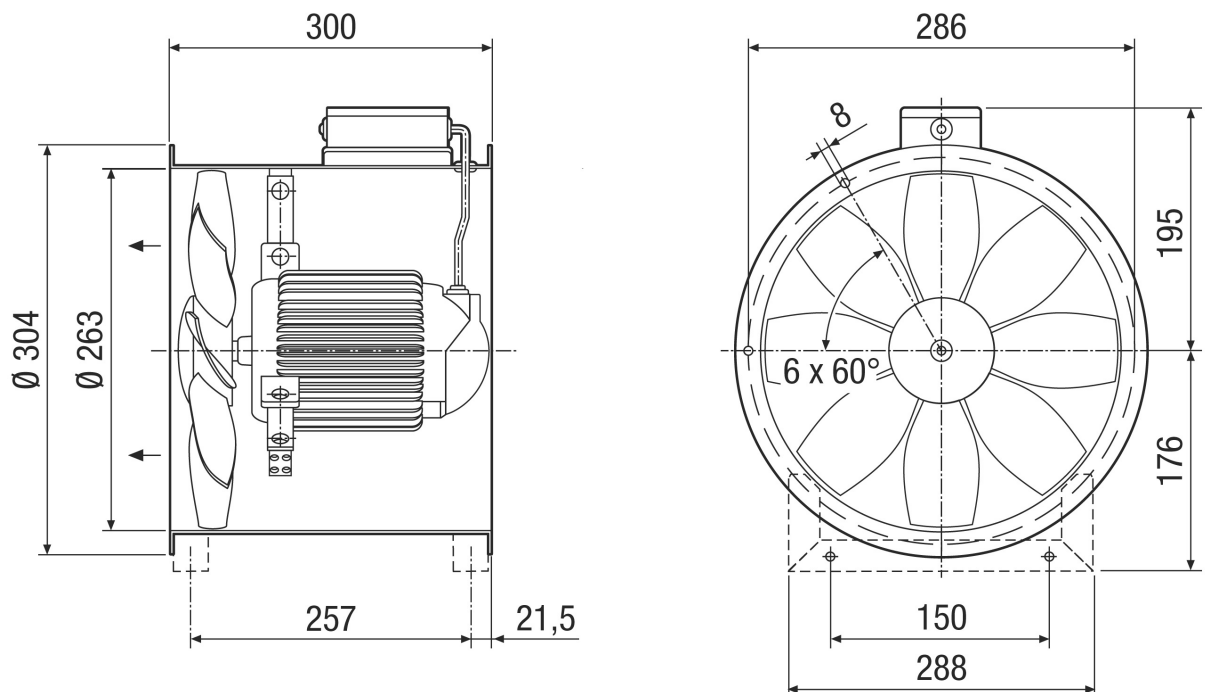
L_{WA2}= housing sound power level in dB.
 L_{WA5}= free inlet sound power level in dB.
 L_{WA6}= free outlet sound power level in dB.

EZR 25/4 D

Characteristic curve



Dimensioned drawing [mm]



Number of flange holes: 6