

# EZR 40/6 B



## Short description

Axial duct fan, DN 400, alternating current

## Application examples

Machine extraction unit, Showroom, Foreman's office, Workshop, Production site

Article number 0086.0008

## Technical data

Air flow volume	2.600 m³/h
Rotating speed	930 1/min
Impeller type	axial
Speed controllable	✓
Reversing capacity	✓
Type of voltage	Alternating current
Rated voltage	230 V
Frequency	50 Hz
Nominal output	98 W
I <sub>nom</sub>	0,46 A
I <sub>max</sub>	0,52 A
Degree of protection	IP 55
Insulation class	B
Pole-changeable	–
Installation position	horizontal / vertical
Material	Sheet steel, galvanised
Colour	Silver
Weight	11,64 kg
Weight including packaging	13,54 kg
Nominal size	400 mm
Width	438 mm
Height	438 mm
Depth	346 mm
Width with packaging	495 mm
Height with packaging	515 mm
Depth with packaging	400 mm
Airstream temperature at nominal current	-20 °C up to 55 °C
Airstream temperature at I <sub>Max</sub>	-20 °C up to 55 °C
Packing unit	1 piece

# EZR 40/6 B

Range	C
GTIN (EAN)	4012799860082

## Sound power level in octave range

	63 Hz	125 Hz	250 Hz	500 Hz	1 kHz	2 kHz	4 kHz	8 kHz	Total
<b>L<sub>WA2</sub>, S1</b> <b>(dB(A))</b>	13	21	16	7	12	8	14	10	24
<b>L<sub>WA2</sub>, S2</b> <b>(dB(A))</b>	20	30	29	26	26	21	21	14	35
<b>L<sub>WA2</sub>, S3</b> <b>(dB(A))</b>	24	39	38	36	37	33	28	20	44
<b>L<sub>WA2</sub>, S4</b> <b>(dB(A))</b>	26	45	44	41	42	38	33	24	50
<b>L<sub>WA2</sub>, S5</b> <b>(dB(A))</b>	26	44	43	46	46	42	37	26	52
<b>L<sub>WA5</sub>, S1</b> <b>(dB(A))</b>	18	29	32	25	24	19	17	11	35
<b>L<sub>WA5</sub>, S2</b> <b>(dB(A))</b>	30	36	51	40	40	38	28	18	52
<b>L<sub>WA5</sub>, S3</b> <b>(dB(A))</b>	28	45	56	49	50	50	40	27	58
<b>L<sub>WA5</sub>, S4</b> <b>(dB(A))</b>	28	47	56	53	53	54	45	32	61
<b>L<sub>WA5</sub>, S5</b> <b>(dB(A))</b>	29	47	57	58	56	56	48	35	63
<b>L<sub>WA6</sub>, S1</b> <b>(dB(A))</b>	18	29	32	25	24	19	17	11	35
<b>L<sub>WA6</sub>, S2</b> <b>(dB(A))</b>	30	36	51	40	40	38	28	18	52
<b>L<sub>WA6</sub>, S3</b> <b>(dB(A))</b>	28	45	56	49	50	50	40	27	58
<b>L<sub>WA6</sub>, S4</b> <b>(dB(A))</b>	28	47	56	53	53	54	45	32	61
<b>L<sub>WA6</sub>, S5</b> <b>(dB(A))</b>	29	47	57	58	56	56	48	35	63

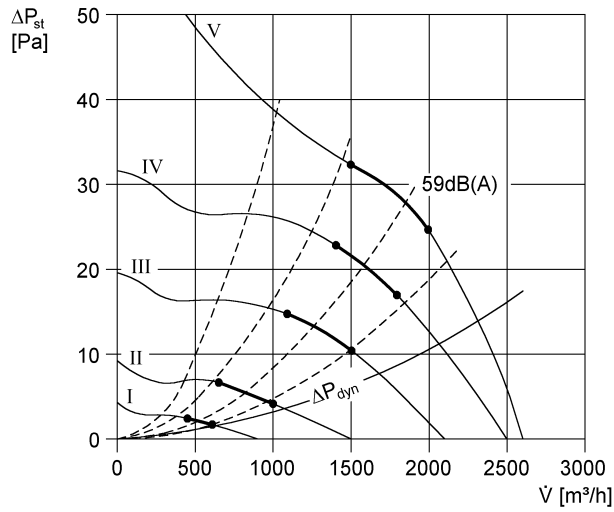
L<sub>WA2</sub>= housing sound power level in dB.

L<sub>WA5</sub>= free inlet sound power level in dB.

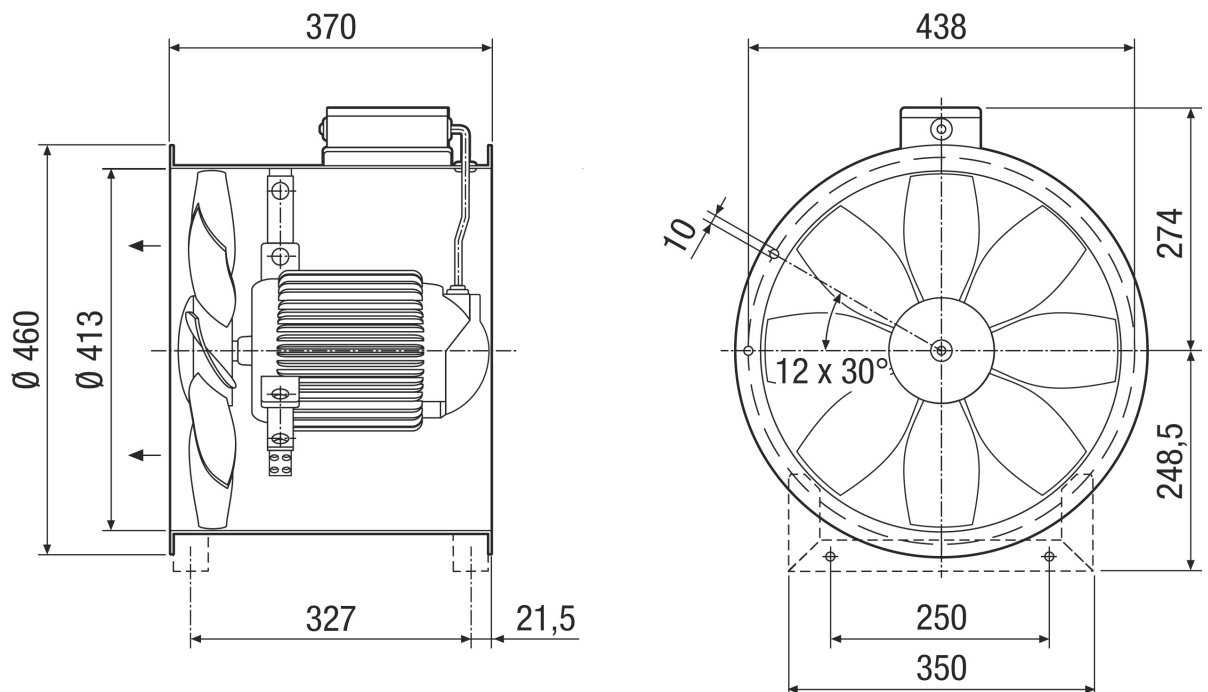
L<sub>WA6</sub>= free outlet sound power level in dB.

# EZR 40/6 B

## Characteristic curve



## Dimensioned drawing [mm]



Number of flange holes: 12