

GRK 12/4 D



Short description

Centrifugal blower made of plastic with rectangular exhaust opening, size 120, three-phase AC

Application examples

Industrial applications

Article number 0073.0304

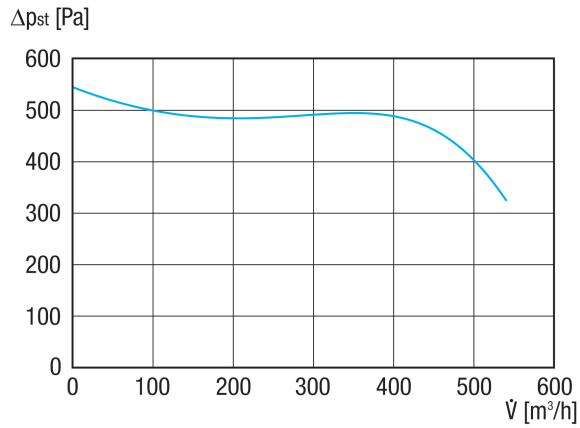
Technical data

Air flow volume	540 m ³ /h
Rotating speed	1.460 1/min
Impeller type	radial
Speed controllable	✓
Reversing capacity	–
Type of voltage	Three-phase AC
Rated voltage	400 V
Frequency	50 Hz
Nominal output	120 W
I _{nom}	0,38 A
Degree of protection	IP 55
Insulation class	F
Pole-changeable	–
Installation site	Duct connection
Installation position	Horizontal
Housing material	Plastic, polypropylene
Impeller material	Plastic, polypropylene
Colour	White
Weight	4 kg
Weight including packaging	4,7 kg
Size	120
Width	240 mm
Height	270 mm
Depth	288 mm
Width with packaging	335 mm
Height with packaging	410 mm
Depth with packaging	435 mm
Airstream temperature at I _{Max}	50 °C
PTC DIN 44082	M 100

GRK 12/4 D

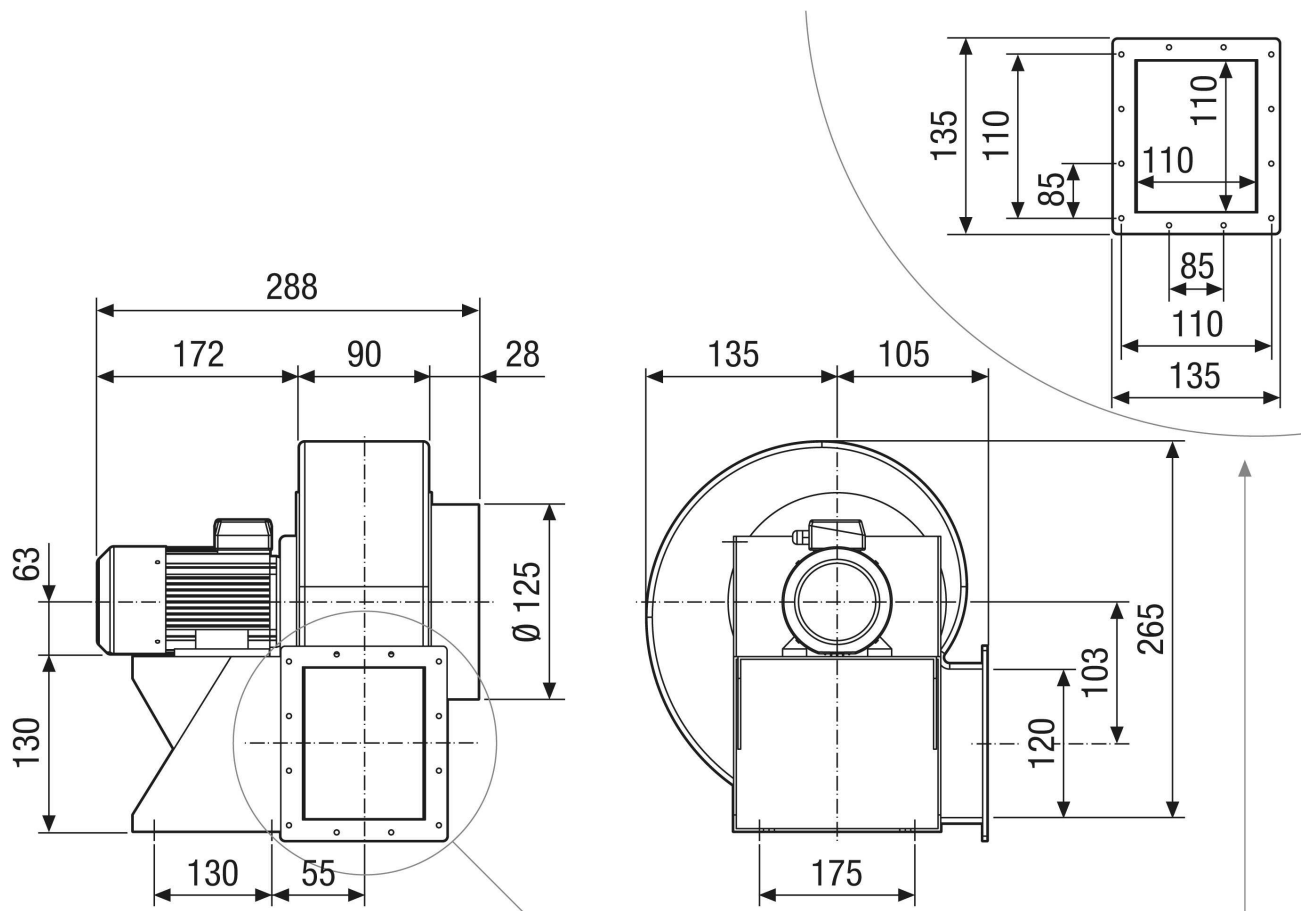
Sound pressure level	68 dB
Packing unit	1 piece
Range	C
GTIN (EAN)	4012799733041

Characteristic curve



GRK 12/4 D

Dimensioned drawing [mm]



GRK 12/4 D

Dimensioned drawing Housing orientation [mm]

①						
	0°	45°	90°	135°	270°	315°
②						

① RD Right-hand version

② LG Left-hand version

The GRK 12/2 E and GRK 12/4 D variants are not available in right-hand version RD!

The standard orientation is always LG 270°