

GRK 16/2 D



Short description

Centrifugal blower made of plastic with rectangular exhaust opening, size 160, three-phase AC

Application examples

Industrial applications

Article number 0073.0306

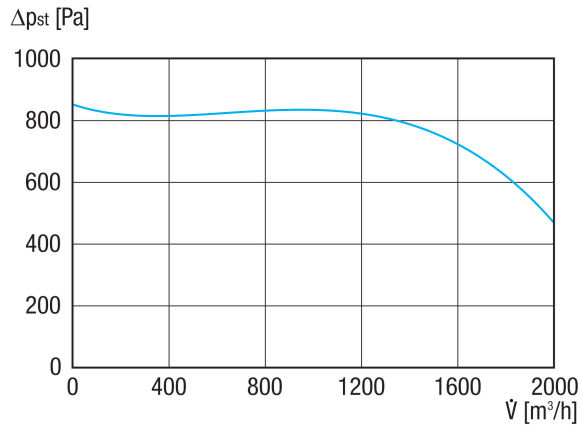
Technical data

Air flow volume	2.000 m ³ /h
Rotating speed	2.900 1/min
Impeller type	radial
Speed controllable	✓
Reversing capacity	–
Type of voltage	Three-phase AC
Rated voltage	400 V
Frequency	50 Hz
Nominal output	1.100 W
I _{nom}	2,55 A
Degree of protection	IP 55
Insulation class	F
Pole-changeable	–
Installation site	Duct connection
Installation position	Horizontal
Housing material	Plastic, polypropylene
Impeller material	Plastic, polypropylene
Colour	White
Weight	13 kg
Weight including packaging	14 kg
Size	160
Width	349 mm
Height	400 mm
Depth	435 mm
Width with packaging	480 mm
Height with packaging	440 mm
Depth with packaging	520 mm
Airstream temperature at I _{Max}	50 °C
PTC DIN 44082	M 100

GRK 16/2 D

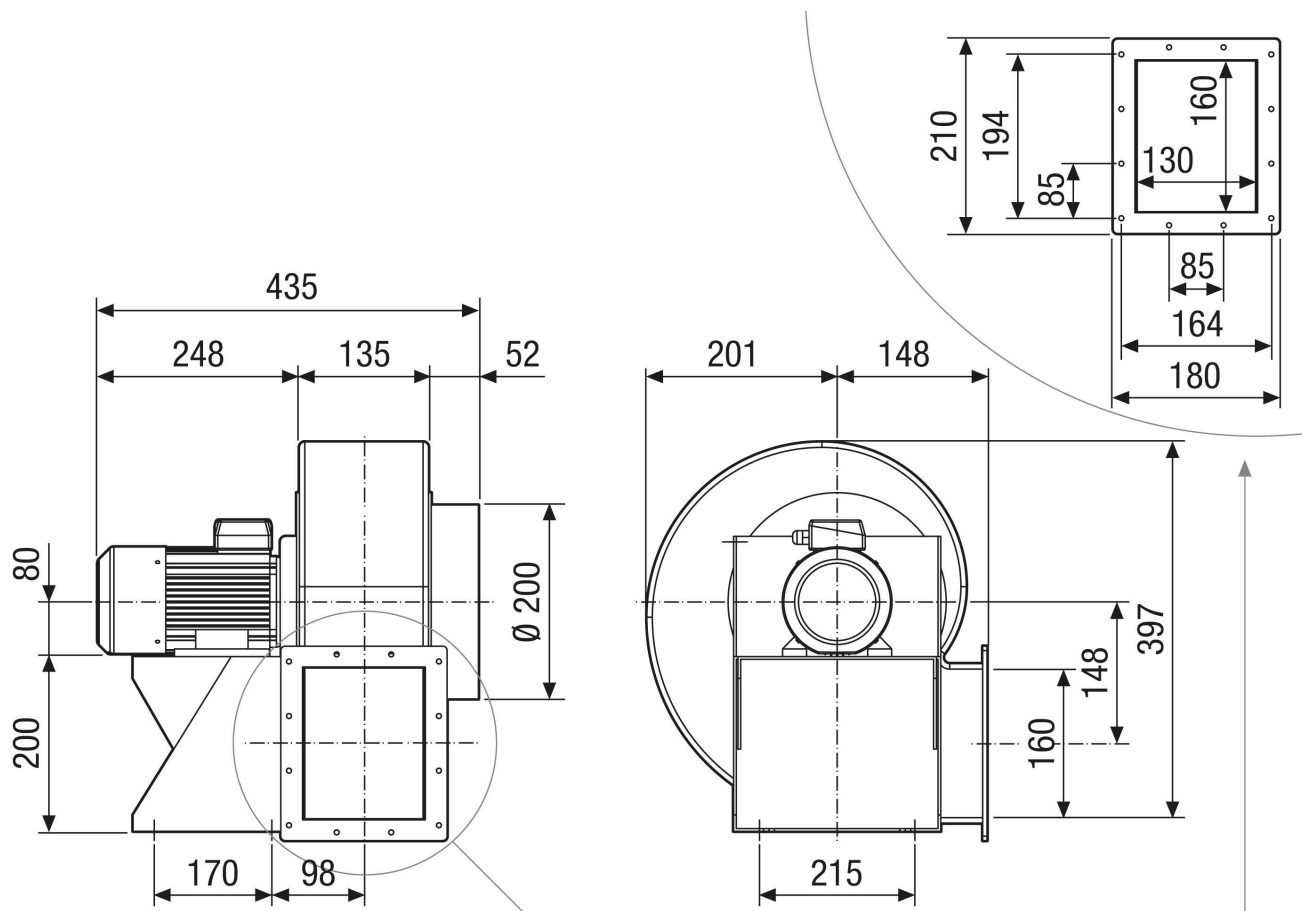
Sound pressure level	57 dB
Packing unit	1 piece
Range	C
GTIN (EAN)	4012799733065

Characteristic curve



GRK 16/2 D

Dimensioned drawing [mm]



GRK 16/2 D

Dimensioned drawing Housing orientation [mm]

①						
	0°	45°	90°	135°	270°	315°
②						

① RD Right-hand version

② LG Left-hand version

The GRK 12/2 E and GRK 12/4 D variants are not available in right-hand version RD!

The standard orientation is always LG 270°