

GRK 20/4 D



Short description

Centrifugal blower made of plastic with rectangular exhaust opening, size 200, three-phase AC

Application examples

Industrial applications

Article number 0073.0307

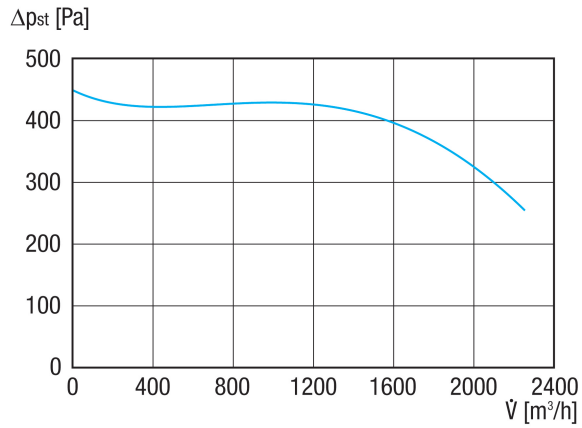
Technical data

Air flow volume	2.250 m ³ /h
Rotating speed	1.460 1/min
Impeller type	radial
Speed controllable	✓
Reversing capacity	–
Type of voltage	Three-phase AC
Rated voltage	400 V
Frequency	50 Hz
Nominal output	550 W
I _{nom}	1,6 A
Degree of protection	IP 55
Insulation class	F
Pole-changeable	–
Installation site	Duct connection
Installation position	Horizontal
Housing material	Plastic, polypropylene
Impeller material	Plastic, polypropylene
Colour	White
Weight	15 kg
Weight including packaging	17 kg
Size	200
Width	430 mm
Height	503 mm
Depth	460 mm
Width with packaging	500 mm
Height with packaging	570 mm
Depth with packaging	500 mm
Airstream temperature at I _{Max}	50 °C
PTC DIN 44082	M 100

GRK 20/4 D

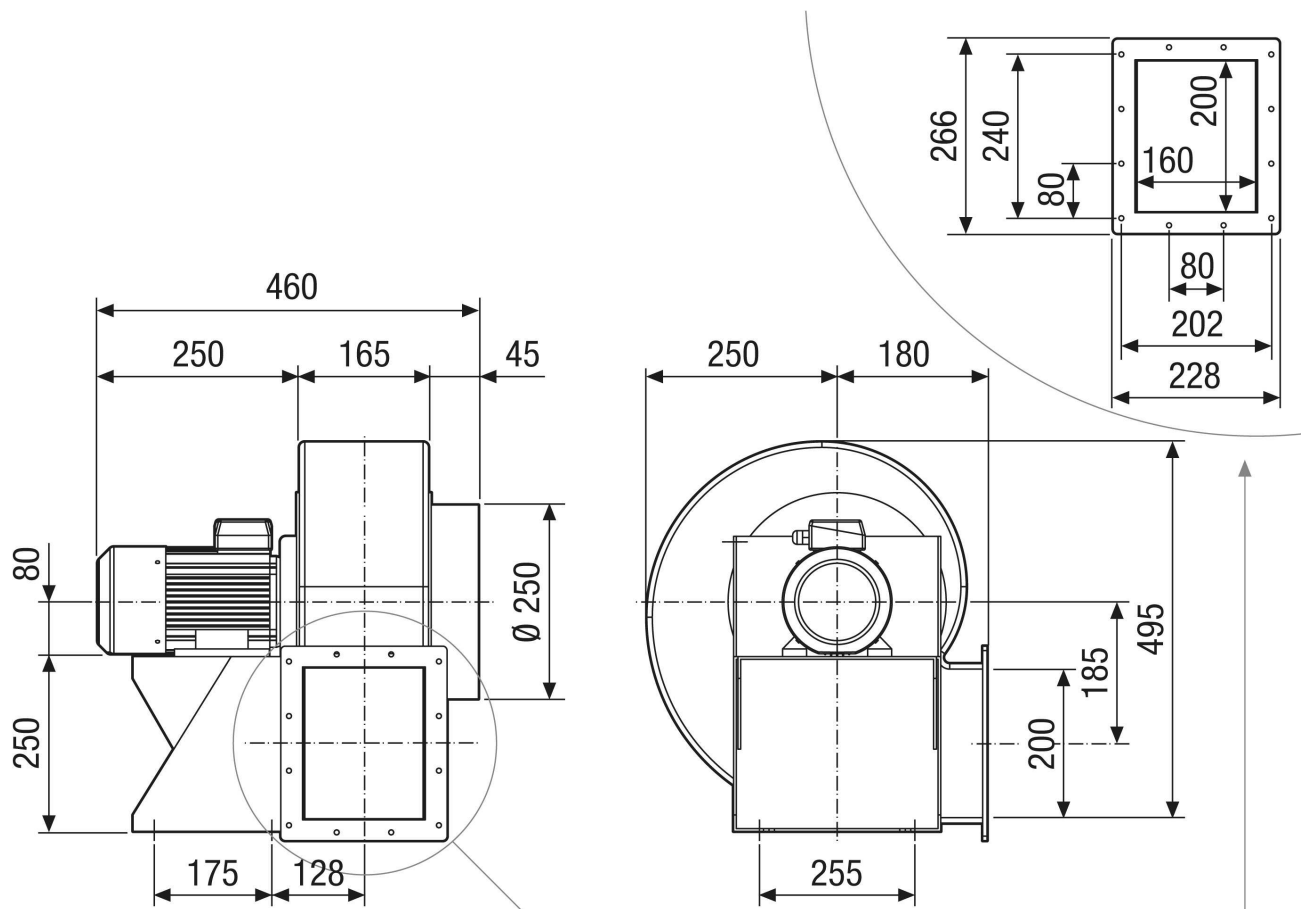
Sound pressure level	66 dB
Packing unit	1 piece
Range	C
GTIN (EAN)	4012799733072

Characteristic curve



GRK 20/4 D

Dimensioned drawing [mm]



GRK 20/4 D

Dimensioned drawing Housing orientation [mm]

①						
	0°	45°	90°	135°	270°	315°
②						

① RD Right-hand version

② LG Left-hand version

The GRK 12/2 E and GRK 12/4 D variants are not available in right-hand version RD!

The standard orientation is always LG 270°