

GRK 35/4 D



Short description

Centrifugal blower made of plastic with rectangular exhaust opening, size 350, three-phase AC

Application examples

Industrial applications

Article number 0073.0309

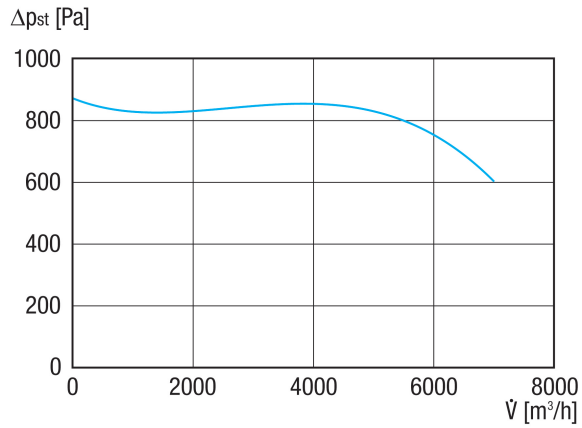
Technical data

Air flow volume	7.000 m ³ /h
Rotating speed	1.460 1/min
Impeller type	radial
Speed controllable	✓
Reversing capacity	–
Type of voltage	Three-phase AC
Rated voltage	400 V
Frequency	50 Hz
Nominal output	3.000 W
I _{nom}	7,5 A
Degree of protection	IP 55
Insulation class	F
Pole-changeable	–
Installation site	Duct connection
Installation position	Horizontal
Housing material	Plastic, polypropylene
Impeller material	Plastic, polypropylene
Colour	White
Weight	48 kg
Weight including packaging	68 kg
Size	350
Width	624 mm
Height	699 mm
Depth	698 mm
Width with packaging	860 mm
Height with packaging	1.200 mm
Depth with packaging	800 mm
Airstream temperature at I _{Max}	50 °C
PTC DIN 44082	M 100

GRK 35/4 D

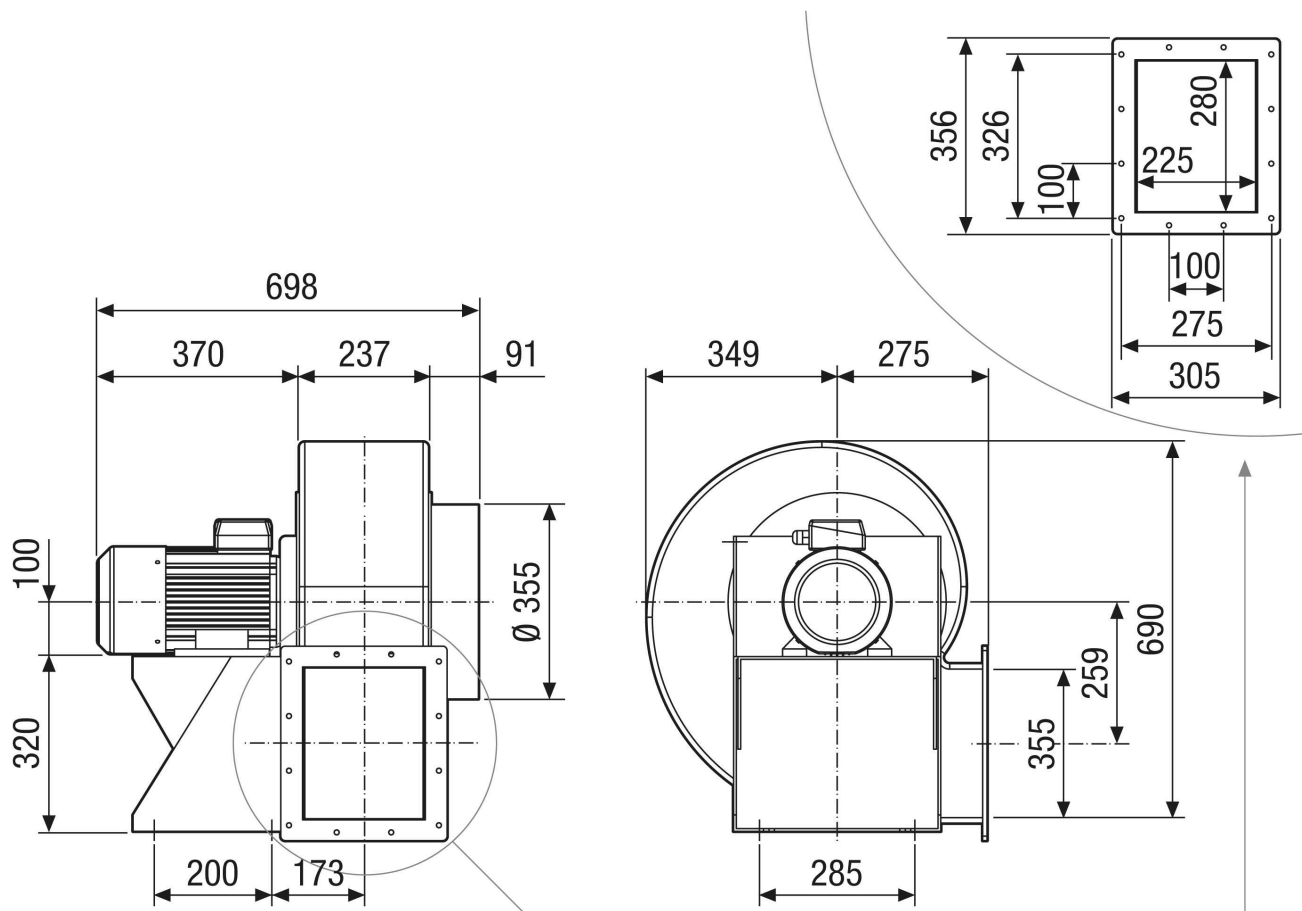
Sound pressure level	70 dB
Packing unit	1 piece
Range	C
GTIN (EAN)	4012799733096

Characteristic curve



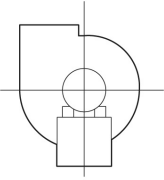
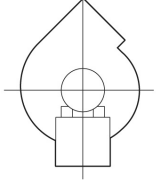
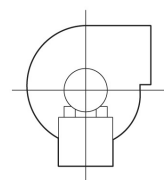
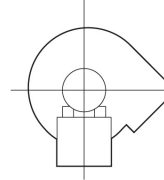
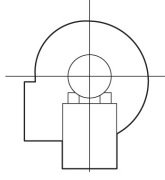
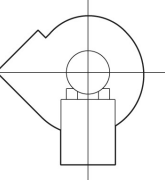
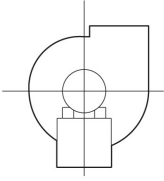
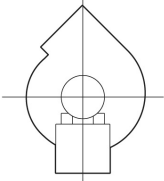
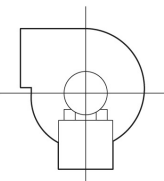
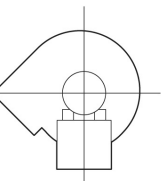
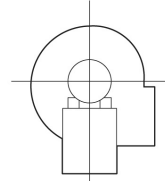
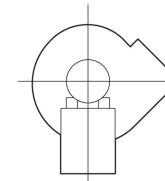
GRK 35/4 D

Dimensioned drawing [mm]



GRK 35/4 D

Dimensioned drawing Housing orientation [mm]

①						
	0°	45°	90°	135°	270°	315°
②						

① RD Right-hand version

② LG Left-hand version

The GRK 12/2 E and GRK 12/4 D variants are not available in right-hand version RD!

The standard orientation is always LG 270°