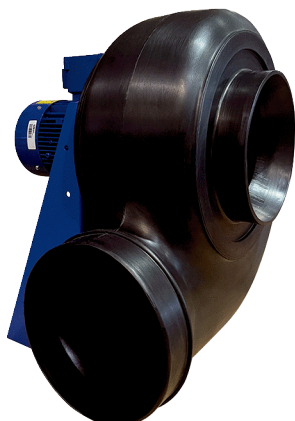


# GRK R 28/4 D Ex



## Short description

Centrifugal blower made of plastic with circular air outlet, 4-pole, size 280, connection diameter 225 mm, three-phase AC, explosion-proof, medium: gas

## Application examples

Environment with explosion hazard (Zone 2), Workplace air extraction system, Fume cupboard, Digestorium

Article number 0073.0445

## Technical data

Air flow volume	1.600 m <sup>3</sup> /h
Rotating speed	1.440 1/min
Impeller type	radial
Speed controllable	✓
Reversing capacity	–
Type of voltage	Three-phase AC
Rated voltage	400 V
Frequency	50 Hz
Nominal output	180 W
I <sub>nom</sub>	0,5 A
Degree of protection	IP 55
Insulation class	F
Pole-changeable	–
Installation site	Duct connection
Installation position	Horizontal
Housing material	Plastic, polyethylene
Impeller material	Plastic, polypropylene
Colour	Black
Weight	33 kg
Weight including packaging	56 kg
Connection diameter	225 mm
Size	280
Width	475 mm
Height	560 mm
Depth	515 mm
Width with packaging	1.200 mm
Height with packaging	800 mm
Depth with packaging	710 mm
EX designation in accordance with the ATEX Directive	Ex II 3 G

# GRK R 28/4 D Ex

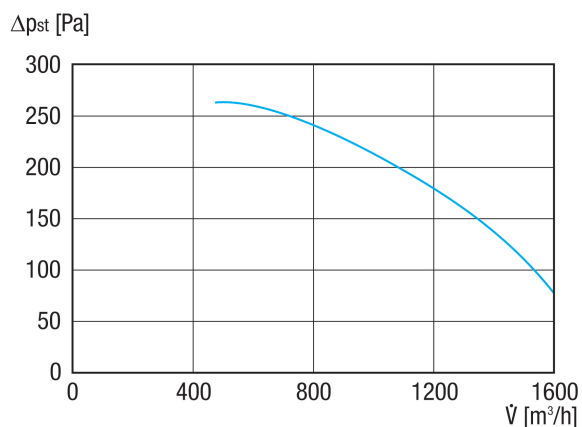
EX designation in accordance with standard	Ex db IIB+H2 T4 Gb X / Ex h IIB+H2 T4 Gb X
Ta ambient temperature	-20 °C ≤ Ta ≤ +40 °C
Operating mode	S1
PTC DIN 44082	M 100
Temperature class	T4
Packing unit	1 piece
Range	G
GTIN (EAN)	4012799734451

## Sound power level in octave range

	63 Hz	125 Hz	250 Hz	500 Hz	1 kHz	2 kHz	4 kHz	8 kHz	Total
<b>L<sub>WA5, S5</sub></b> <b>(dB(A))</b>	46,8	58,9	67,4	67,8	70	66,2	58	47,9	74

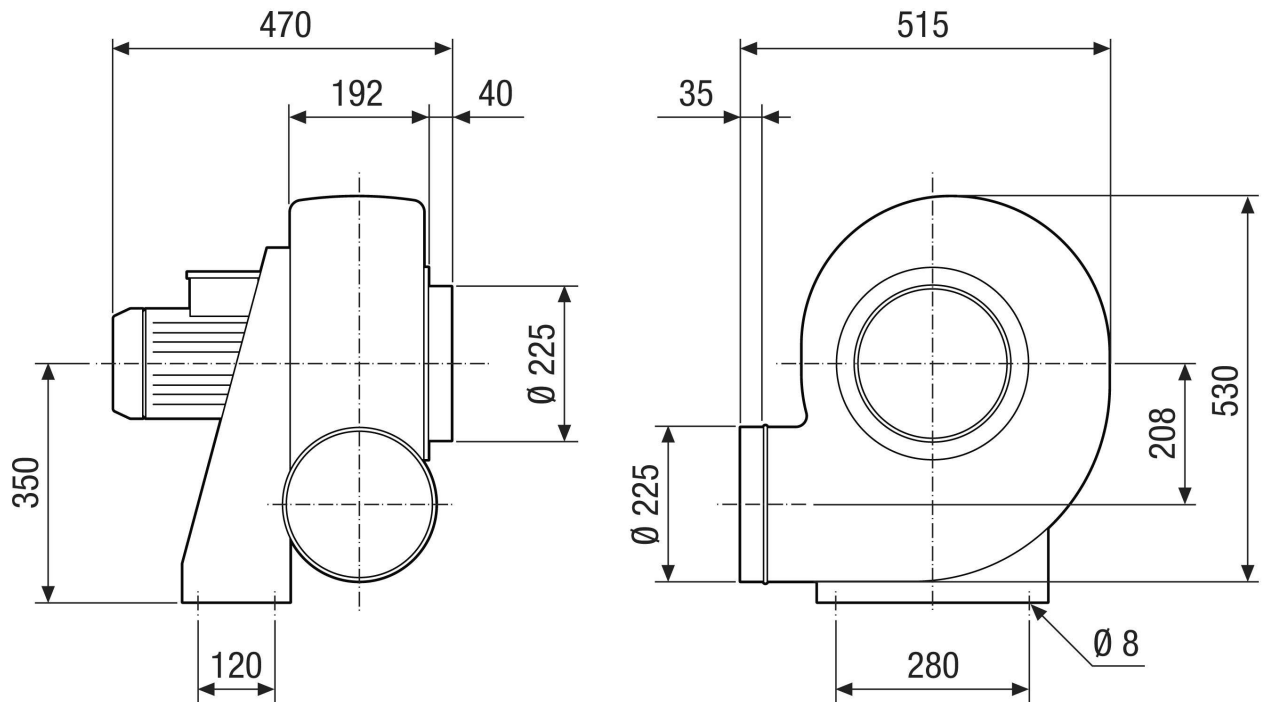
L<sub>WA5</sub>= free inlet sound power level in dB.

## Characteristic curve



# GRK R 28/4 D Ex

Dimensioned drawing [mm]



# GRK R 28/4 D Ex

Dimensioned drawing Housing orientation [mm]

①						
	0°	45°	90°	135°	270°	315°
②						

① RD Right-hand version

② LG Left-hand version

The GRK 12/2 E and GRK 12/4 D variants are not available in right-hand version RD!

The standard orientation is always LG 270°