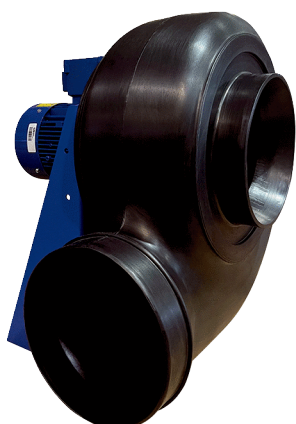


# GRK R 56/6 D Ex



## Short description

Centrifugal blower made of plastic with round circular air outlet, 6-pole, size 450, connection diameter 450 mm, three-phase AC, explosion-proof, medium: gas

## Application examples

Environment with explosion hazard (Zone 2), Workplace air extraction system, Fume cupboard, Digestorium

Article number 0073.0459

## Technical data

Air flow volume	8.000 m³/h
Rotating speed	960 1/min
Impeller type	radial
Speed controllable	✓
Reversing capacity	–
Type of voltage	Three-phase AC
Rated voltage	400 V
Frequency	50 Hz
Nominal output	1.500 W
I <sub>nom</sub>	3,8 A
Degree of protection	IP 55
Insulation class	F
Pole-changeable	–
Installation site	Duct connection
Installation position	Horizontal
Material	Plastic, polyethylene
Housing material	Plastic, polypropylene
Impeller material	Plastic, polypropylene
Colour	Black
Weight	120 kg
Weight including packaging	143 kg
Connection diameter	450 mm
Size	560
Width	760 mm
Height	1.045 mm
Depth	930 mm
Width with packaging	800 mm
Height with packaging	1.200 mm
Depth with packaging	1.270 mm

# GRK R 56/6 D Ex

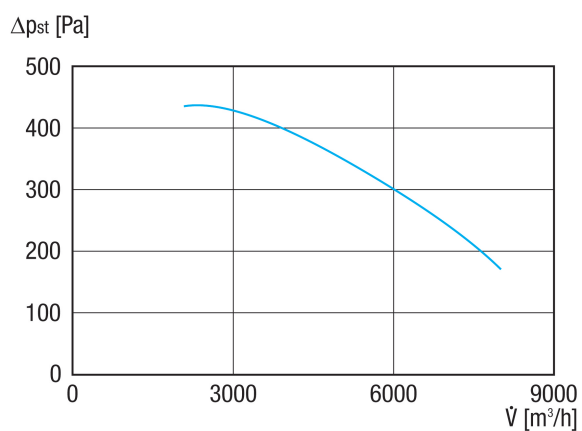
EX designation in accordance with the ATEX Directive	Ex II 3 G
EX designation in accordance with standard	Ex db IIB+H2 T4 Gb X / Ex h IIB+H2 T4 Gb X
Ta ambient temperature	-20 °C ≤ Ta ≤ +40 °C
Operating mode	S1
PTC DIN 44082	M 100
Temperature class	T4
Packing unit	1 piece
Range	G
GTIN (EAN)	4012799734598

## Sound power level in octave range

	63 Hz	125 Hz	250 Hz	500 Hz	1 kHz	2 kHz	4 kHz	8 kHz	Total
<b>L<sub>WA5, S5</sub> (dB(A))</b>	70,1	81,1	82,1	77,1	76,1	71,1	63,1	55,1	87

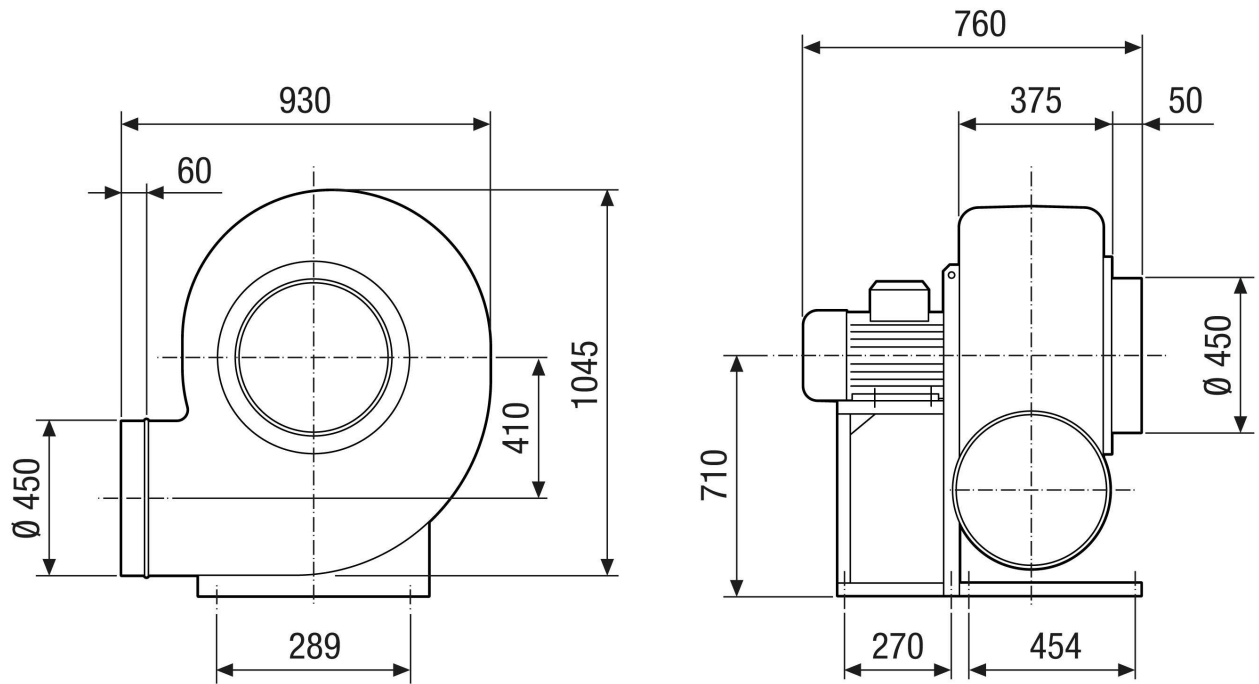
L<sub>WA5</sub>= free inlet sound power level in dB.

## Characteristic curve



# GRK R 56/6 D Ex

Dimensioned drawing [mm]



# GRK R 56/6 D Ex

Dimensioned drawing Housing orientation [mm]

①						
	0°	45°	90°	135°	270°	315°
②						

① RD Right-hand version

② LG Left-hand version

The GRK 12/2 E and GRK 12/4 D variants are not available in right-hand version RD!

The standard orientation is always LG 270°