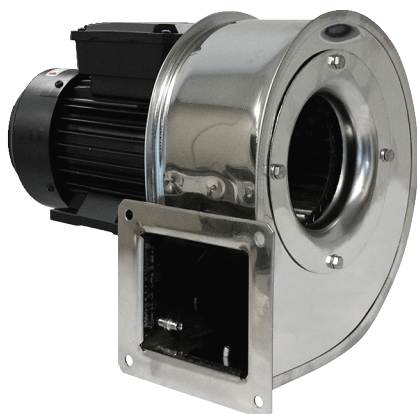


GRM ES 10/2 E



Short description

Metal centrifugal blower with stainless steel housing, size 100, alternating current

Application examples

Industrial applications

Article number 0073.0316

Technical data

Air flow volume	390 m ³ /h
Rotating speed	2.880 1/min
Impeller type	radial
Speed controllable	–
Reversing capacity	–
Type of voltage	Alternating current
Rated voltage	230 V
Frequency	50 Hz
Nominal output	120 W
I _{nom}	0,85 A
Degree of protection	IP 55
Insulation class	F
Pole-changeable	–
Installation site	Duct connection
Installation position	Horizontal
Housing material	Stainless steel
Impeller material	Stainless steel
Colour	Silver
Weight	4 kg
Weight including packaging	4,5 kg
Size	100
Width	220 mm
Height	229 mm
Depth	198 mm
Width with packaging	315 mm
Height with packaging	300 mm
Depth with packaging	240 mm
Airstream temperature at I _{Max}	-20 °C up to 80 °C
PTC DIN 44082	M 100

GRM ES 10/2 E

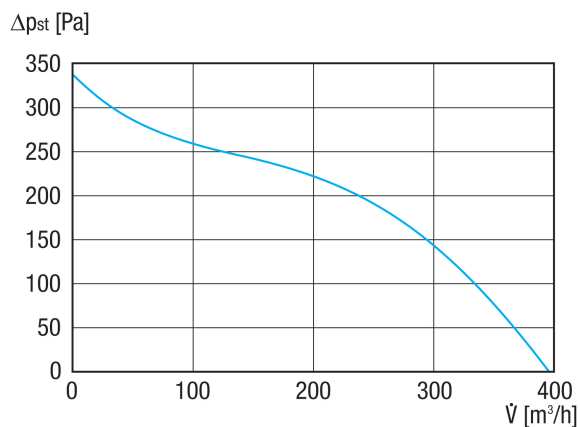
Packing unit	1 piece
Range	C
GTIN (EAN)	4012799733164

Sound power level in octave range

	63 Hz	125 Hz	250 Hz	500 Hz	1 kHz	2 kHz	4 kHz	8 kHz	Total
L_{WA5, S5} (dB(A))	45	57	62	66	71	64	56	46	73

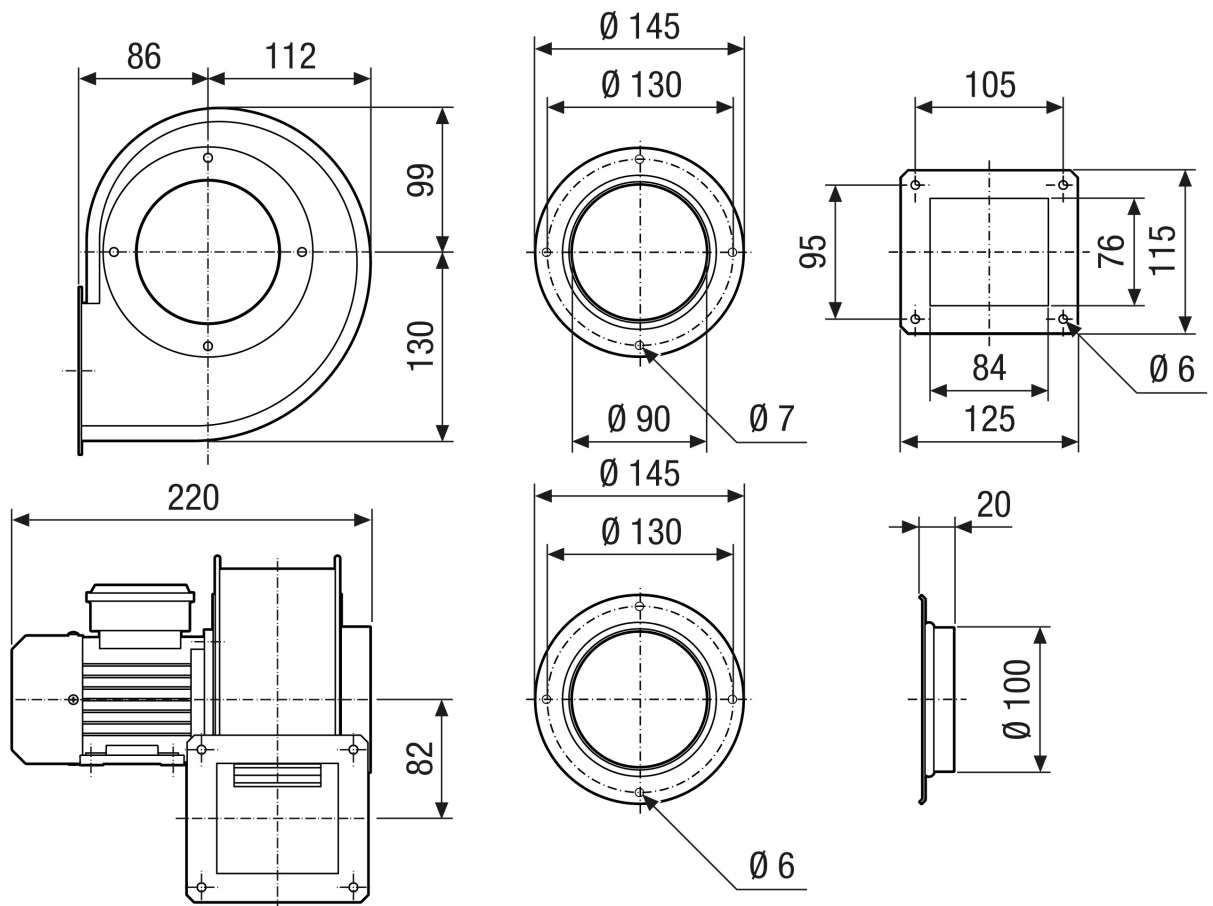
L_{WA5}= free inlet sound power level in dB.

Characteristic curve



GRM ES 10/2 E

Dimensioned drawing [mm]



GRM ES 10/2 E

Dimensioned drawing Housing orientation [mm]

①						
	0°	45°	90°	135°	270°	315°
②						

① RD Right-hand version

② LG Left-hand version

This size cannot be ordered in the versions 45°, 135°, 315°

The standard orientation is always LG 270°