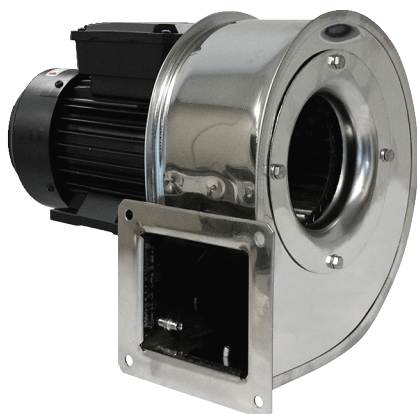


# GRM ES 12/2 E



## Short description

Metal centrifugal blower with stainless steel housing, size 120, alternating current

## Application examples

Industrial applications

Article number 0073.0317

## Technical data

Air flow volume	850 m <sup>3</sup> /h
Rotating speed	2.880 1/min
Impeller type	radial
Speed controllable	–
Reversing capacity	–
Type of voltage	Alternating current
Rated voltage	230 V
Frequency	50 Hz
Nominal output	370 W
I <sub>nom</sub>	2,2 A
Degree of protection	IP 55
Insulation class	F
Pole-changeable	–
Installation site	Duct connection
Installation position	Horizontal
Housing material	Stainless steel
Impeller material	Stainless steel
Colour	Silver
Weight	7 kg
Weight including packaging	7,5 kg
Size	120
Width	300 mm
Height	274 mm
Depth	246 mm
Width with packaging	315 mm
Height with packaging	300 mm
Depth with packaging	250 mm
Airstream temperature at I <sub>Max</sub>	-20 °C up to 80 °C
PTC DIN 44082	M 100

# GRM ES 12/2 E

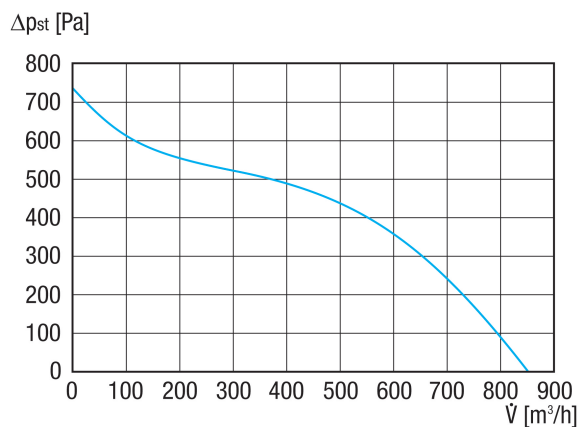
Packing unit	1 piece
Range	C
GTIN (EAN)	4012799733171

## Sound power level in octave range

	63 Hz	125 Hz	250 Hz	500 Hz	1 kHz	2 kHz	4 kHz	8 kHz	Total
<b>L<sub>WA5, S5</sub></b> <b>(dB(A))</b>	44	54	68	73	69	74	69	65	78

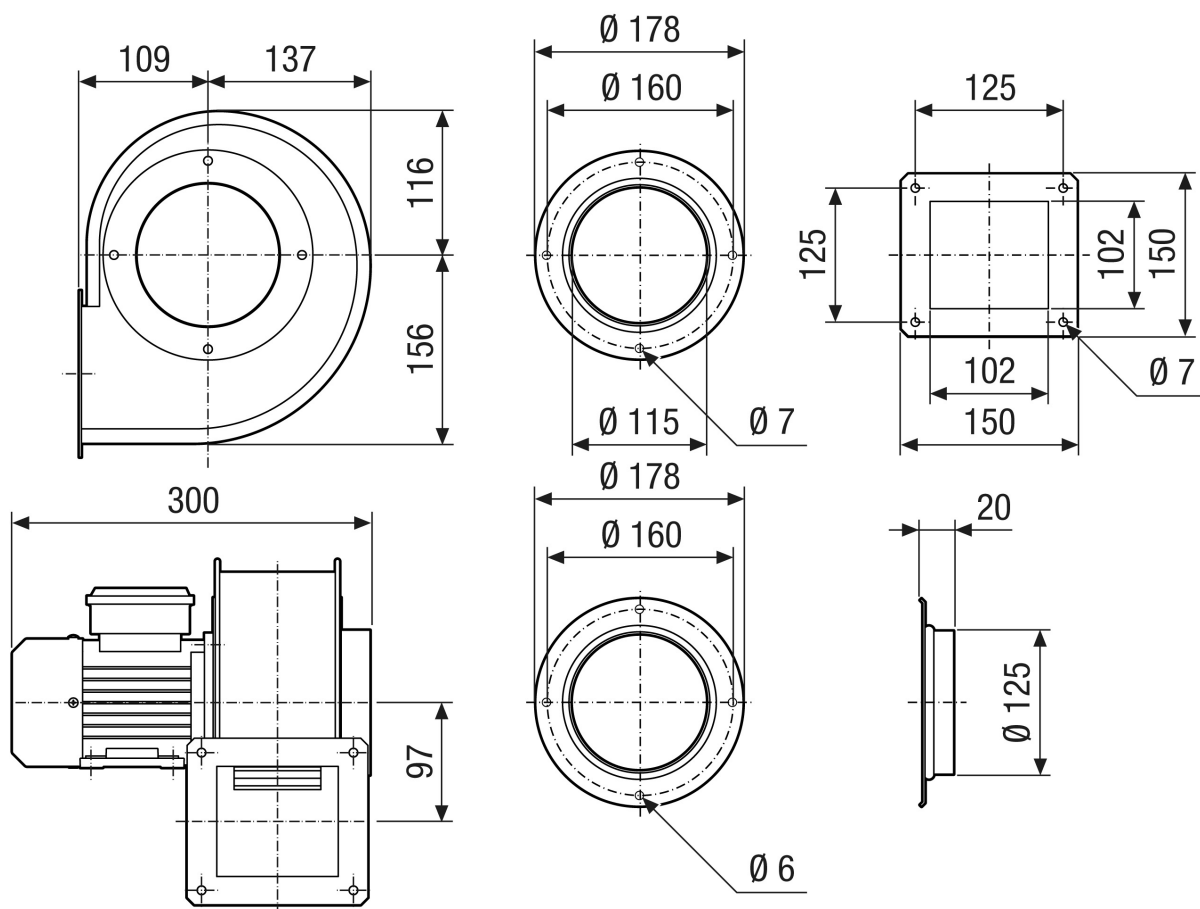
L<sub>WA5</sub>= free inlet sound power level in dB.

## Characteristic curve



# GRM ES 12/2 E

Dimensioned drawing [mm]



# GRM ES 12/2 E

Dimensioned drawing Housing orientation [mm]

①						
	0°	45°	90°	135°	270°	315°
②						

① RD Right-hand version

② LG Left-hand version

This size cannot be ordered in the versions 45°, 135°, 315°

The standard orientation is always LG 270°