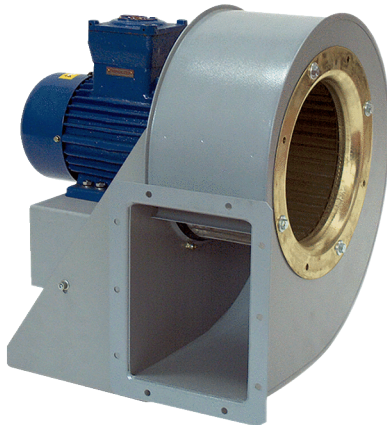


GRM HD 22/2 Ex



Short description

Centrifugal blower made of metal for high-pressure applications, 2-pole, size 220, three-phase AC, explosion-proof, medium: gas

Application examples

explosion-proof industrial applications

Article number 0073.0398

Technical data

Air flow volume	3.902 m³/h
Rotating speed	2.880 1/min
Impeller type	radial
Speed controllable	✓
Reversing capacity	–
Type of voltage	Three-phase AC
Rated voltage	400 V
Frequency	50 Hz
Nominal output	2.200 W
I _{nom}	4,4 A
Degree of protection	IP 55
Insulation class	F
Pole-changeable	–
Installation site	Duct connection
Installation position	Horizontal
Material	Sheet steel, galvanised
Housing material	Steel, coated
Colour	grey
Weight	32 kg
Weight including packaging	34 kg
Size	220
Width	400 mm
Height	485 mm
Depth	460 mm
Width with packaging	500 mm
Height with packaging	560 mm
Depth with packaging	530 mm
EX designation in accordance with the ATEX Directive	Ex II 2 G
EX designation in accordance with standard	Ex db IIB+H2 T4 Gb X / Ex h IIB+H2 T4 Gb X

GRM HD 22/2 Ex

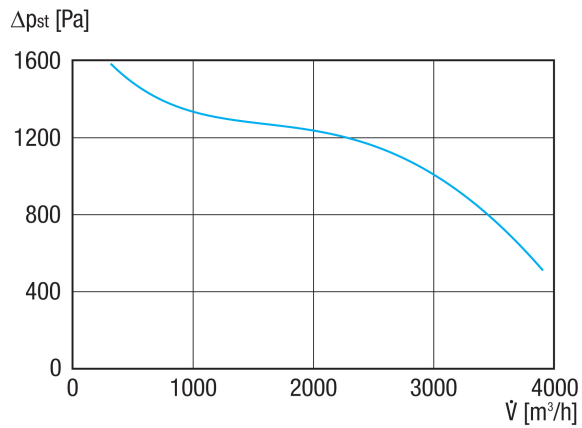
Ta ambient temperature	-20 °C ≤ Ta ≤ +60 °C
Operating mode	S1
PTC DIN 44082	M 100
Temperature class	T4
Packing unit	1 piece
Range	G
GTIN (EAN)	4012799733980

Sound power level in octave range

	63 Hz	125 Hz	250 Hz	500 Hz	1 kHz	2 kHz	4 kHz	8 kHz	Total
L_{WA5, S5} (dB(A))	67	79	85	88	90	89	78	68	95

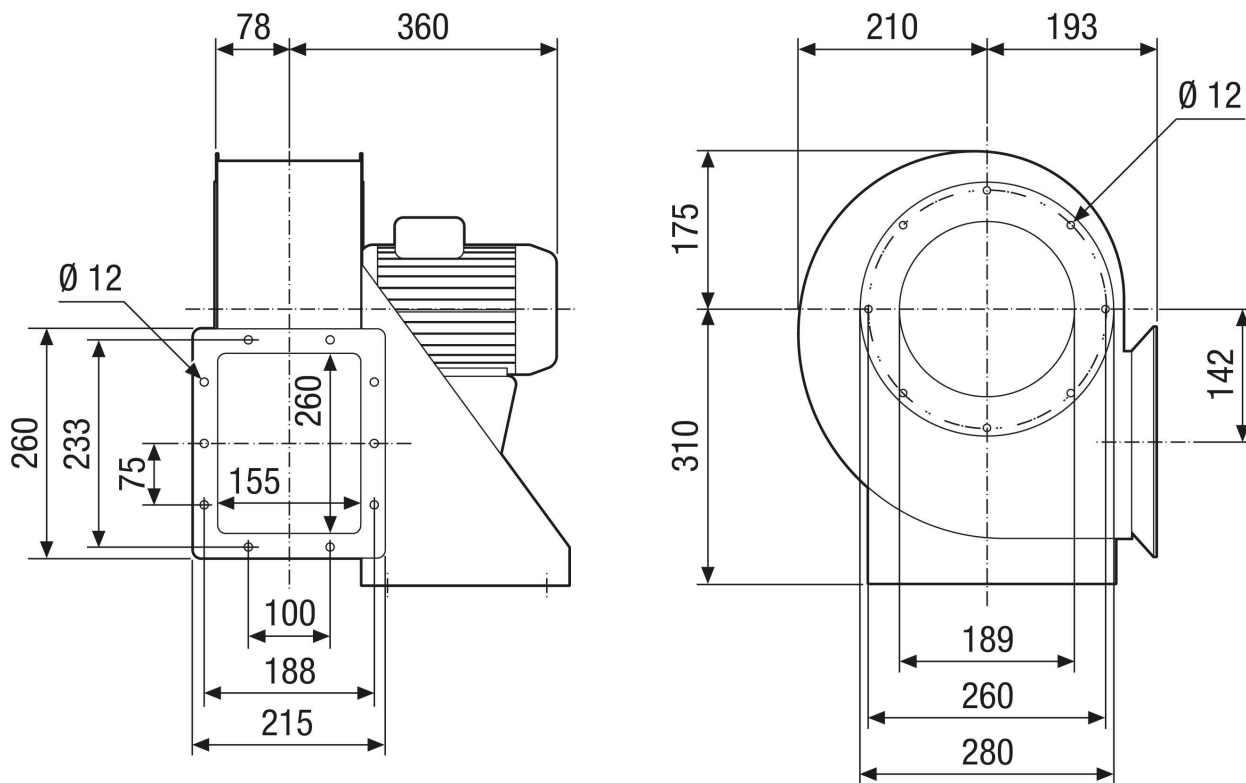
L_{WA5}= free inlet sound power level in dB.

Characteristic curve



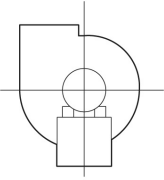
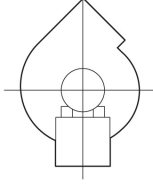
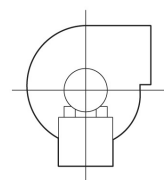
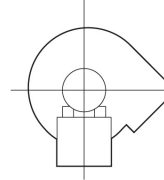
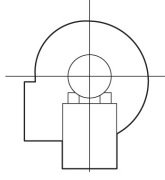
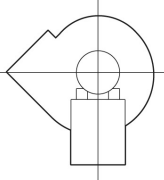
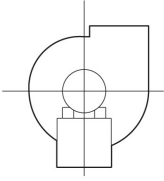
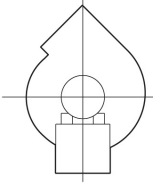
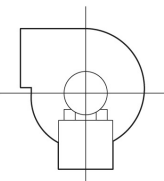
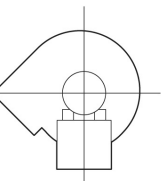
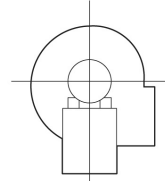
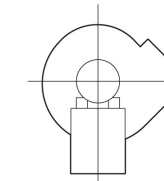
GRM HD 22/2 Ex

Dimensioned drawing [mm]



GRM HD 22/2 Ex

Dimensioned drawing Housing orientation [mm]

①						
	0°	45°	90°	135°	270°	315°
②						

① RD Right-hand version

② LG Left-hand version

The GRK 12/2 E and GRK 12/4 D variants are not available in right-hand version RD!

The standard orientation is always LG 270°