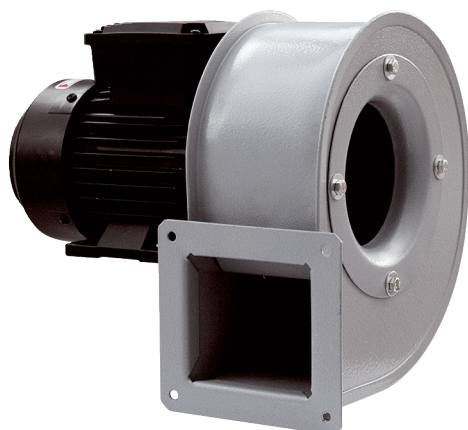


# GRM HT 10/2



## Short description

Metal centrifugal blower for high temperatures, size 100, three-phase AC

## Application examples

Industrial building, High temperature ranges

Article number 0073.0279

## Technical data

Air flow volume	390 m³/h
Rotating speed	2.880 1/min
Impeller type	radial
Speed controllable	✓
Reversing capacity	–
Type of voltage	Three-phase AC
Rated voltage	400 V
Frequency	50 Hz
Nominal output	90 W
I <sub>nom</sub>	0,17 A
I <sub>max</sub>	0,2 A
Degree of protection	IP 44
Insulation class	B
Pole-changeable	–
Installation site	Duct connection
Installation position	Horizontal
Housing material	Steel, coated
Impeller material	Sheet steel, galvanised
Colour	Silver
Weight	4 kg
Weight including packaging	4,5 kg
Width	300 mm
Height	229 mm
Depth	198 mm
Width with packaging	315 mm
Height with packaging	300 mm
Depth with packaging	240 mm
Airstream temperature at I <sub>Max</sub>	150 °C
PTC DIN 44082	M 100

# GRM HT 10/2

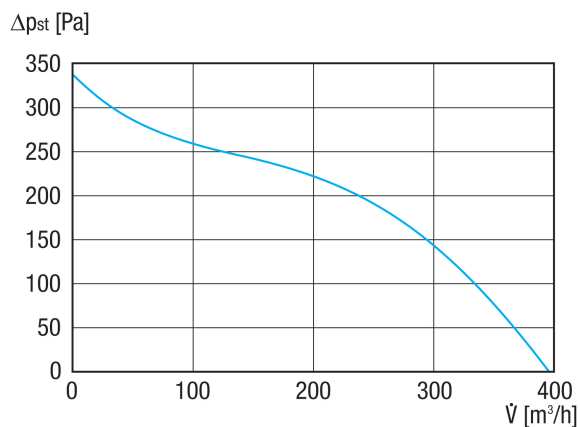
Packing unit	1 piece
Range	C
GTIN (EAN)	4012799732792

## Sound power level in octave range

	63 Hz	125 Hz	250 Hz	500 Hz	1 kHz	2 kHz	4 kHz	8 kHz	Total
<b>L<sub>WA5, S5</sub></b> <b>(dB(A))</b>	45	57	62	66	71	64	56	46	73

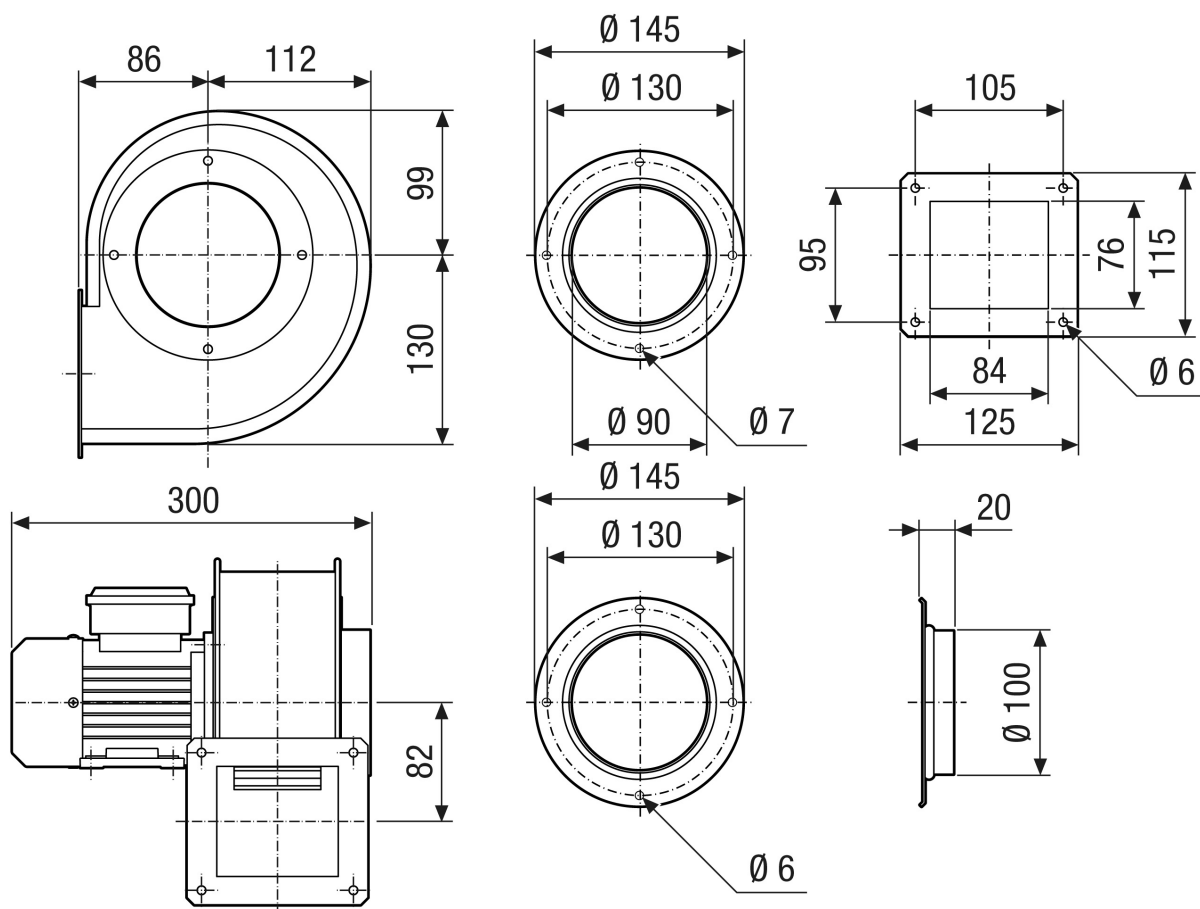
L<sub>WA5</sub>= free inlet sound power level in dB.

## Characteristic curve



# GRM HT 10/2

Dimensioned drawing [mm]



# GRM HT 10/2

Dimensioned drawing Housing orientation [mm]

①						
	0°	45°	90°	135°	270°	315°
②						

① RD Right-hand version

② LG Left-hand version

This size cannot be ordered in the versions 45°, 135°, 315°

The standard orientation is always LG 270°