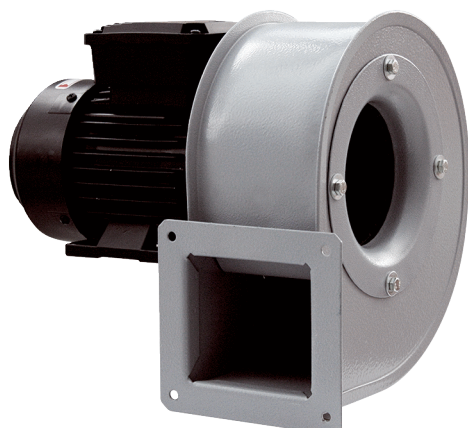


GRM HT 12/2



Short description

Metal centrifugal blower for high temperatures, size 120, three-phase AC

Application examples

Industrial building, High temperature ranges

Article number 0073.0280

Technical data

Air flow volume	850 m³/h
Rotating speed	2.880 1/min
Impeller type	radial
Speed controllable	✓
Reversing capacity	–
Type of voltage	Three-phase AC
Rated voltage	400 V
Frequency	50 Hz
Nominal output	250 W
I _{nom}	0,9 A
I _{max}	0,7 A
Degree of protection	IP 55
Insulation class	F
Pole-changeable	–
Installation site	Duct connection
Installation position	Horizontal
Housing material	Steel, coated
Impeller material	Sheet steel, galvanised
Colour	Silver
Weight	7 kg
Weight including packaging	7,6 kg
Width	365 mm
Height	272 mm
Depth	246 mm
Width with packaging	400 mm
Height with packaging	335 mm
Depth with packaging	290 mm
Airstream temperature at I _{Max}	150 °C
PTC DIN 44082	M 100

GRM HT 12/2

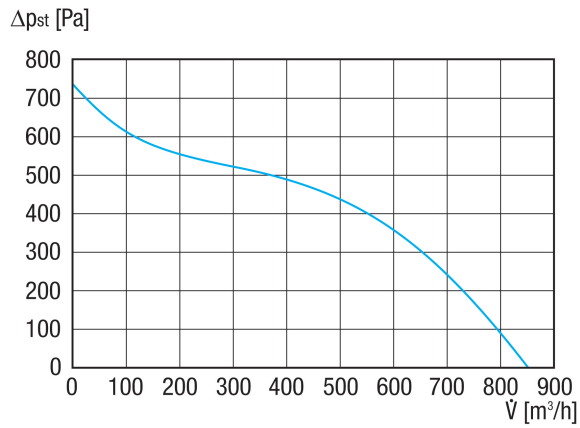
Packing unit	1 piece
Range	C
GTIN (EAN)	4012799732808

Sound power level in octave range

	63 Hz	125 Hz	250 Hz	500 Hz	1 kHz	2 kHz	4 kHz	8 kHz	Total
L_{WA5, S5} (dB(A))	44	54	68	73	69	74	69	65	78

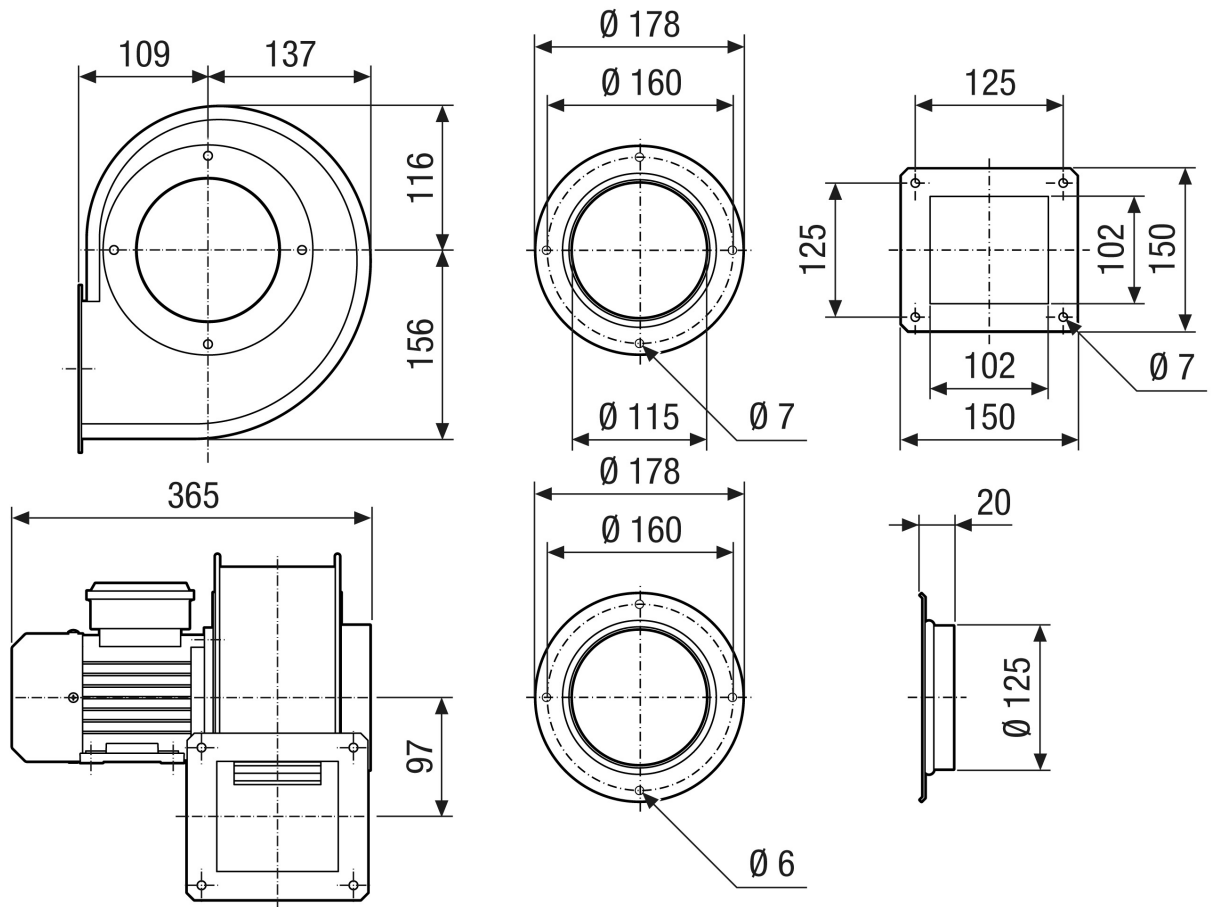
L_{WA5}= free inlet sound power level in dB.

Characteristic curve



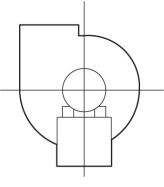
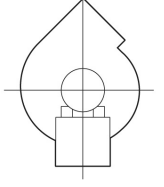
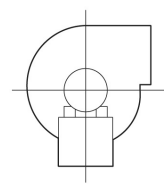
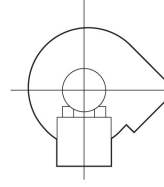
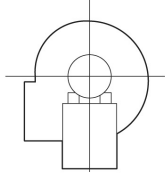
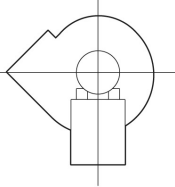
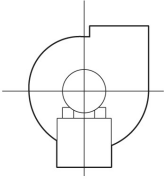
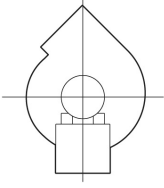
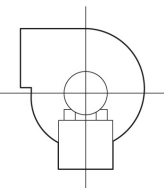
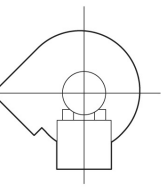
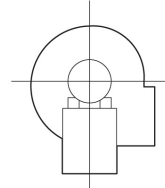
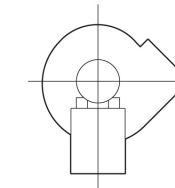
GRM HT 12/2

Dimensioned drawing [mm]



GRM HT 12/2

Dimensioned drawing Housing orientation [mm]

①						
	0°	45°	90°	135°	270°	315°
②						

① RD Right-hand version

② LG Left-hand version

This size cannot be ordered in the versions 45°, 135°, 315°

The standard orientation is always LG 270°