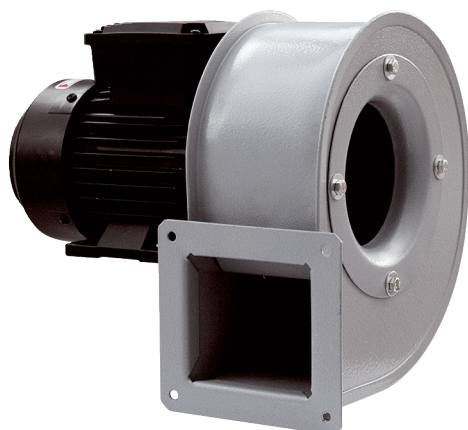


GRM HT 16/2



Short description

Metal centrifugal blower for high temperatures, size 160, three-phase AC

Application examples

Industrial building, High temperature ranges

Article number 0073.0282

Technical data

Air flow volume	2.318 m³/h
Rotating speed	2.880 1/min
Impeller type	radial
Speed controllable	✓
Reversing capacity	–
Type of voltage	Three-phase AC
Rated voltage	400 V
Frequency	50 Hz
Nominal output	750 W
I _{nom}	1,9 A
I _{max}	1,61 A
Degree of protection	IP 55
Insulation class	F
Pole-changeable	–
Installation site	Duct connection
Installation position	Horizontal
Housing material	Steel, coated
Impeller material	Sheet steel, galvanised
Colour	Silver
Weight	17 kg
Weight including packaging	18 kg
Width	460 mm
Height	355 mm
Depth	318 mm
Width with packaging	520 mm
Height with packaging	480 mm
Depth with packaging	440 mm
Airstream temperature at I _{Max}	150 °C
PTC DIN 44082	M 100

GRM HT 16/2

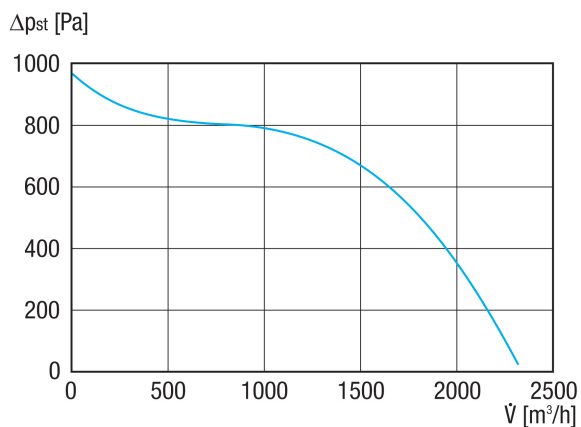
Packing unit	1 piece
Range	C
GTIN (EAN)	4012799732822

Sound power level in octave range

	63 Hz	125 Hz	250 Hz	500 Hz	1 kHz	2 kHz	4 kHz	8 kHz	Total
L_{WA5, S5} (dB(A))	53	64	79	81	82	83	81	75	89

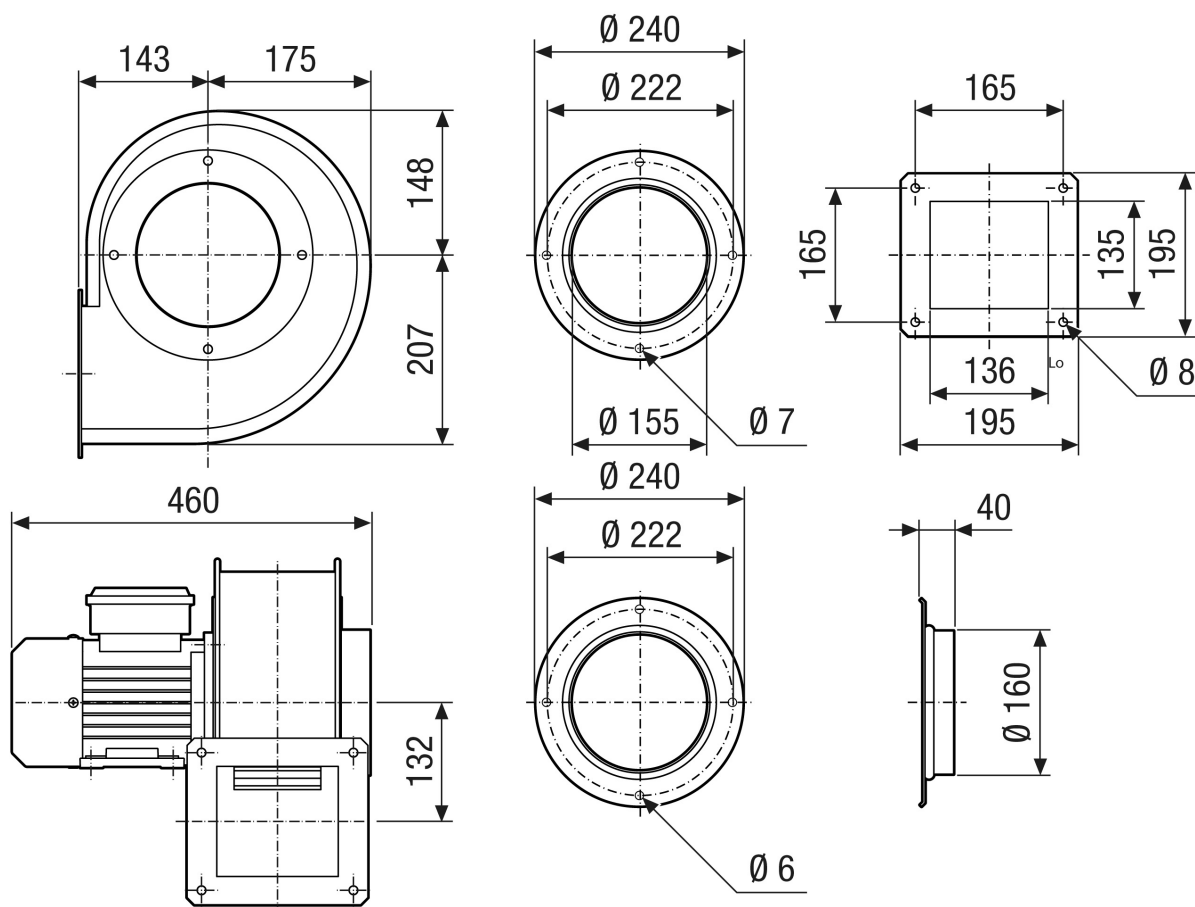
L_{WA5}= free inlet sound power level in dB.

Characteristic curve



GRM HT 16/2

Dimensioned drawing [mm]



GRM HT 16/2

Dimensioned drawing Housing orientation [mm]

①						
	0°	45°	90°	135°	270°	315°
②						

① RD Right-hand version

② LG Left-hand version

The GRK 12/2 E and GRK 12/4 D variants are not available in right-hand version RD!

The standard orientation is always LG 270°