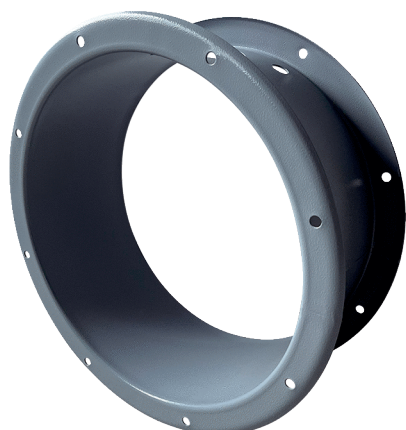


GVI 112



Short description

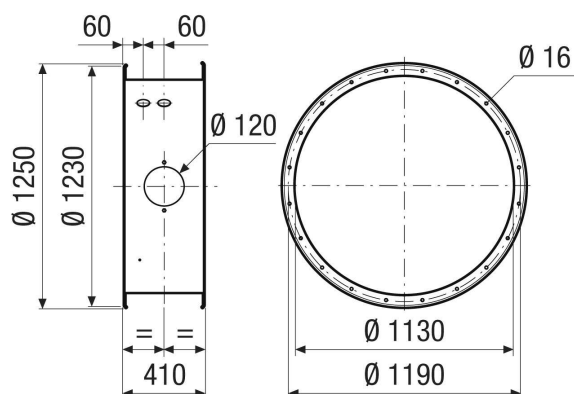
Housing extension for mechanical protection of the motor and impeller inside the fan housing, DN 1120

Article number 0073.0205

Technical data

Installation site	Fans
Material	Sheet steel, epoxy coated
Colour	grey
Weight	58 kg
Weight including packaging	58 kg
Nominal size	1.120 mm
Width	1.250 mm
Height	1.250 mm
Depth	410 mm
Width with packaging	1.250 mm
Height with packaging	1.250 mm
Depth with packaging	410 mm
Packing unit	1 piece
Range	C
GTIN (EAN)	4012799732051

Dimensioned drawing [mm]



GVI 112

