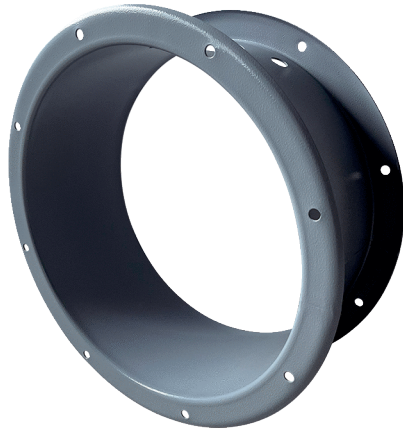


# GVI 125



## Short description

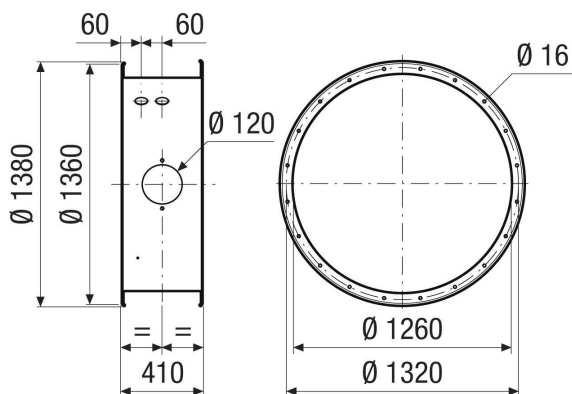
Housing extension for mechanical protection of the motor and impeller inside the fan housing, DN 1250

Article number 0073.0206

## Technical data

Installation site	Fans
Material	Sheet steel, epoxy coated
Colour	grey
Weight	65 kg
Weight including packaging	65 kg
Nominal size	1.250 mm
Width	1.380 mm
Height	1.380 mm
Depth	410 mm
Width with packaging	1.380 mm
Height with packaging	1.380 mm
Depth with packaging	410 mm
Packing unit	1 piece
Range	C
GTIN (EAN)	4012799732068

## Dimensioned drawing [mm]



# GVI 125

