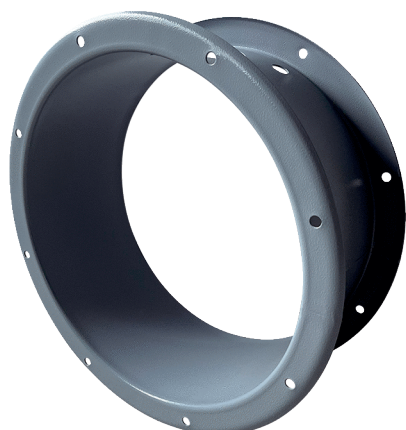


# GVI 63



## Short description

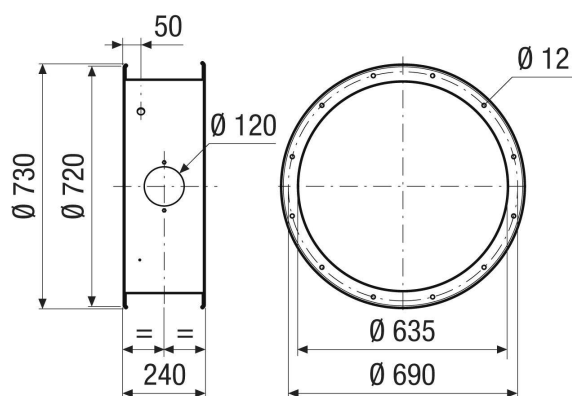
Housing extension for mechanical protection of the motor and impeller inside the fan housing, DN 630

Article number 0073.0200

## Technical data

Installation site	Fans
Material	Sheet steel, epoxy coated
Colour	grey
Weight	10,5 kg
Weight including packaging	10,5 kg
Nominal size	630 mm
Width	730 mm
Height	730 mm
Depth	240 mm
Width with packaging	730 mm
Height with packaging	730 mm
Depth with packaging	240 mm
Packing unit	1 piece
Range	C
GTIN (EAN)	4012799732006

## Dimensioned drawing [mm]



# GVI 63

