

GVI v 100



Short description

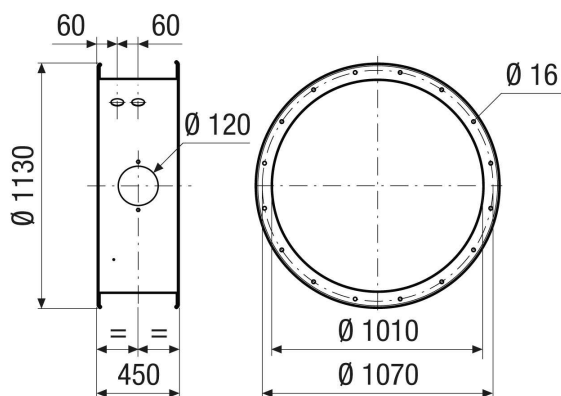
Housing extension for mechanical protection of the motor and impeller inside the fan housing, galvanised, DN 1000

Article number 0073.0693

Technical data

Installation site	Fans
Material	Sheet steel, galvanised
Colour	Silver
Weight	42,8 kg
Weight including packaging	42,8 kg
Nominal size	1.000 mm
Width	1.130 mm
Height	1.130 mm
Depth	450 mm
Width with packaging	1.130 mm
Height with packaging	1.130 mm
Depth with packaging	450 mm
Packing unit	1 piece
Range	C
GTIN (EAN)	4012799736936

Dimensioned drawing [mm]



GVI v 100

