

# GVI v 112



## Short description

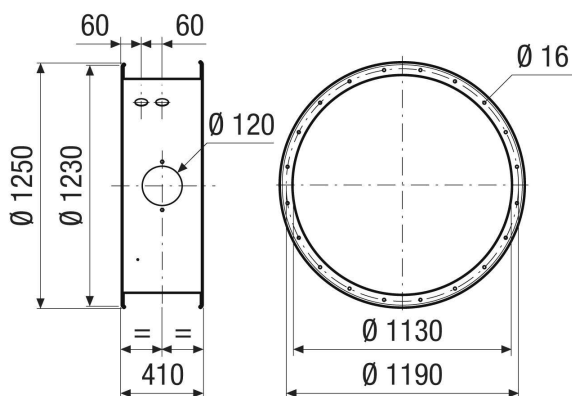
Housing extension for mechanical protection of the motor and impeller inside the fan housing, galvanised, DN 1120

Article number 0073.0694

## Technical data

Installation site	Fans
Material	Sheet steel, galvanised
Colour	Silver
Weight	47,3 kg
Weight including packaging	47,4 kg
Nominal size	1.120 mm
Width	1.250 mm
Height	1.250 mm
Depth	410 mm
Width with packaging	1.250 mm
Height with packaging	1.250 mm
Depth with packaging	410 mm
Packing unit	1 piece
Range	C
GTIN (EAN)	4012799736943

## Dimensioned drawing [mm]



# GVI v 112

