

GVI v 63



Short description

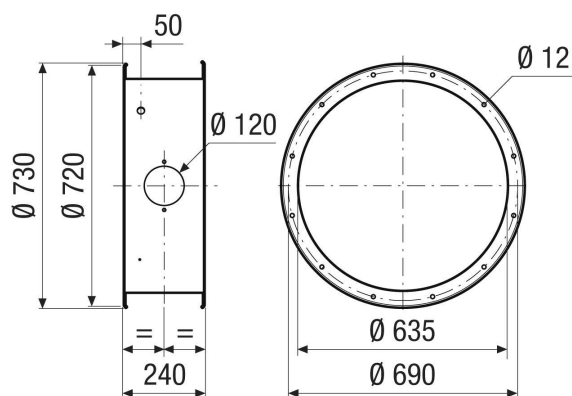
Housing extension for mechanical protection of the motor and impeller inside the fan housing, galvanised, DN 630

Article number 0073.0689

Technical data

Installation site	Fans
Material	Sheet steel, galvanised
Colour	Silver
Weight	10,5 kg
Weight including packaging	10,5 kg
Nominal size	630 mm
Width	730 mm
Height	730 mm
Depth	240 mm
Width with packaging	730 mm
Height with packaging	730 mm
Depth with packaging	240 mm
Packing unit	1 piece
Range	C
GTIN (EAN)	4012799736899

Dimensioned drawing [mm]



GVI v 63

