

GVI v 90



Short description

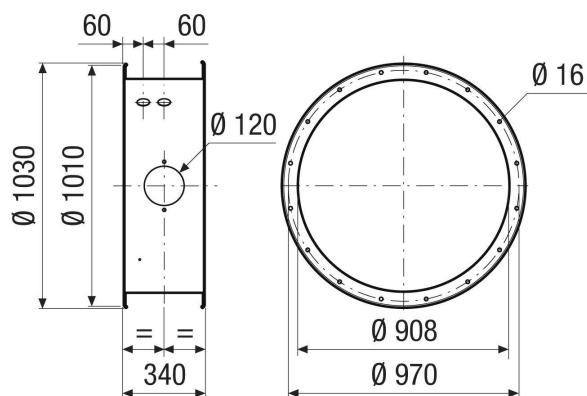
Housing extension for mechanical protection of the motor and impeller inside the fan housing, galvanised, DN 900

Article number 0073.0692

Technical data

Installation site	Fans
Material	Sheet steel, galvanised
Colour	Silver
Weight	30,9 kg
Weight including packaging	30,9 kg
Nominal size	900 mm
Width	1.030 mm
Height	1.030 mm
Depth	340 mm
Width with packaging	1.030 mm
Height with packaging	1.030 mm
Depth with packaging	340 mm
Packing unit	1 piece
Range	C
GTIN (EAN)	4012799736929

Dimensioned drawing [mm]



GVI v 90

