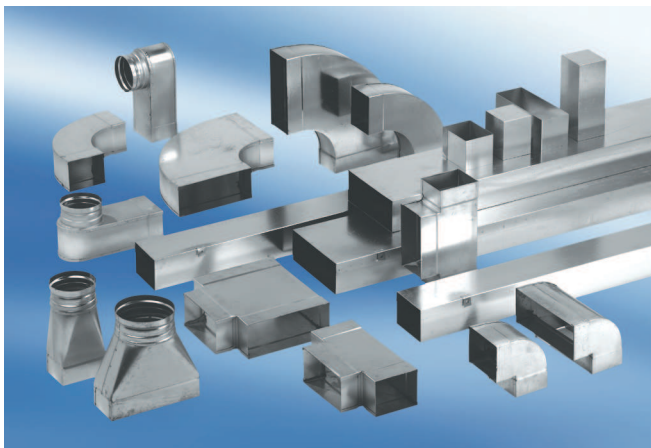


KB45H/55/110



Short description

Channel elbow 55/110, 45°, horizontal

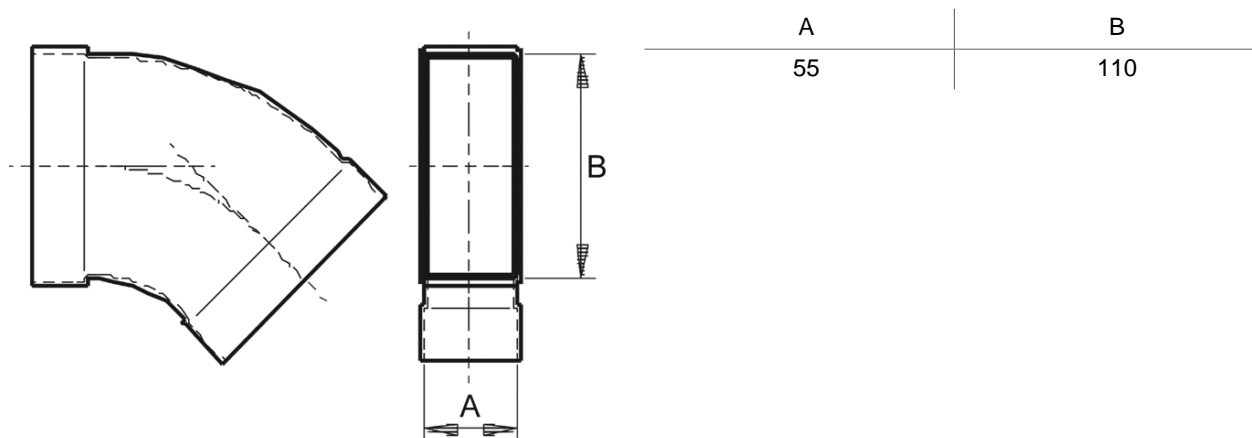
Article number

0055.0582

Technical data

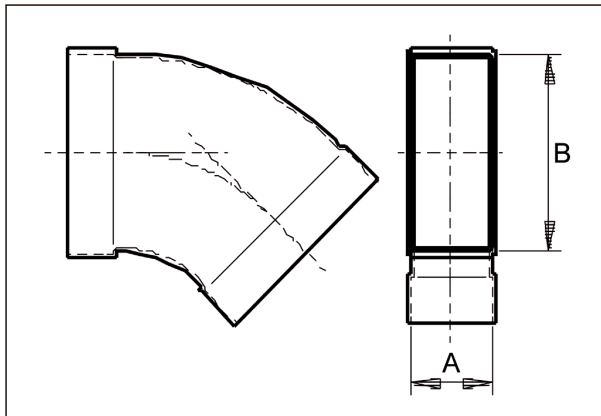
Material	Sheet steel, Sendzimir galvanised
Channel dimension	110 mm x x 55 mm
Packing unit	1 piece
Range	K
GTIN (EAN)	4012799555827

Dimensioned drawing [mm]



KB45H/55/110

Dimensioned drawing [mm]



A	B
55	110