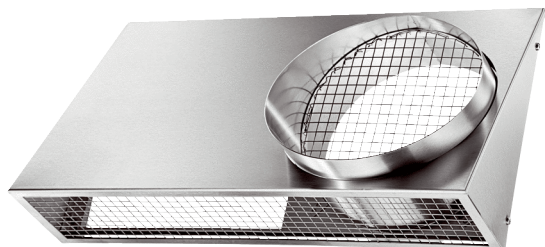


KWH 20/2 L



Short description

Combination wall connection, DN 200, outside air left, outgoing air, suitable for MaicoTherm DN 160

Application examples

Single-family house, Multiple family unit, New build, Redevelopment

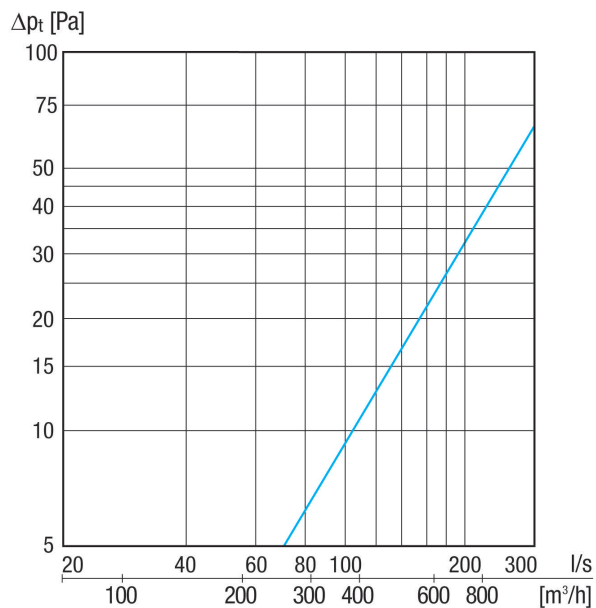
Article number 0152.0125

Technical data

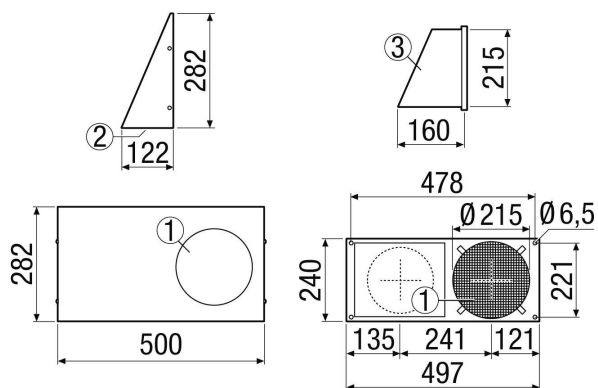
Model	Connections on the left
Air direction	Ventilation and air extraction
Installation site	Outside wall
Material	Stainless steel (V2A)
Weight	2,7 kg
Weight including packaging	3,2 kg
Nominal size	200 mm
Width	500 mm
Height	282 mm
Depth	122 mm
Width with packaging	510 mm
Height with packaging	305 mm
Depth with packaging	235 mm
Packing unit	1 piece
Range	K
GTIN (EAN)	4012799521259

KWH 20/2 L

Characteristic curve Outgoing air



Dimensioned drawing [mm]



- ① Outgoing air
- ② Outside air
- ③ Inclined connections