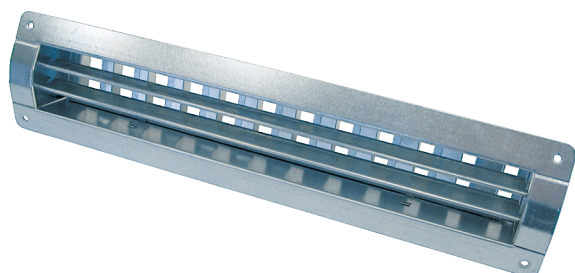


LGR 32/6



Short description

Internal grille for ventilation and air extraction for installation in ducts, sheet steel, galvanised, max. 200 m³/h

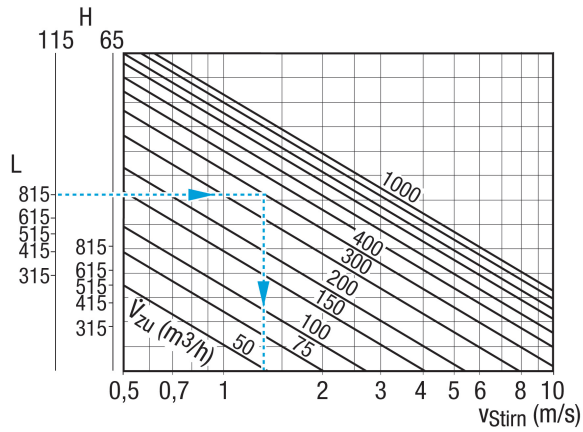
Article number 0151.0354

Technical data

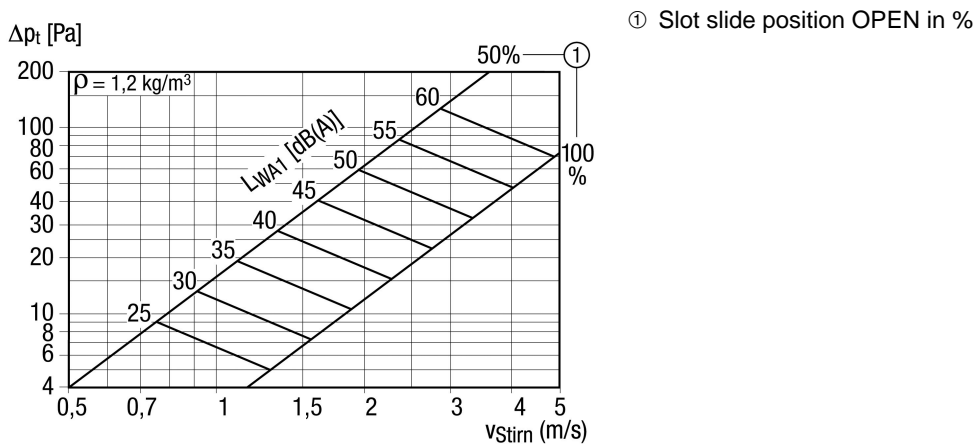
Air direction	Ventilation and air extraction
Practical air throughput at 75% opening of the slot slide	100 m³/h - 200 m³/h
Installation	Inside
Installation site	Duct
Material	Sheet steel, galvanised
Weight	0,66 kg
Weight including packaging	0,78 kg
Suitable for nominal size	140 mm - 400 mm (ideal 250 mm)
Width	358 mm
Height	113 mm
Depth	56 mm
Width with packaging	392 mm
Height with packaging	125 mm
Depth with packaging	70 mm
Packing unit	1 piece
Range	C
GTIN (EAN)	4012799513544

LGR 32/6

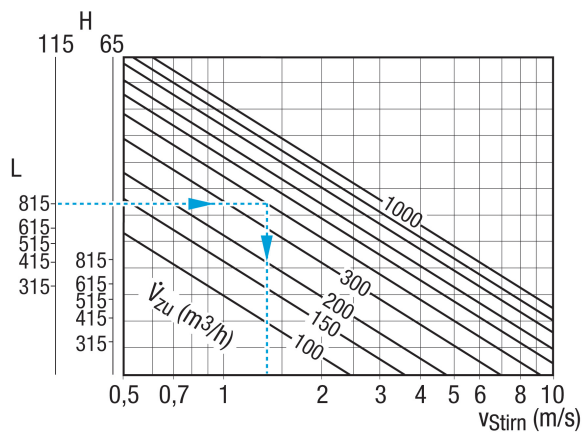
Characteristic curve Exhaust air front side velocity



Characteristic curve Exhaust air pressure losses

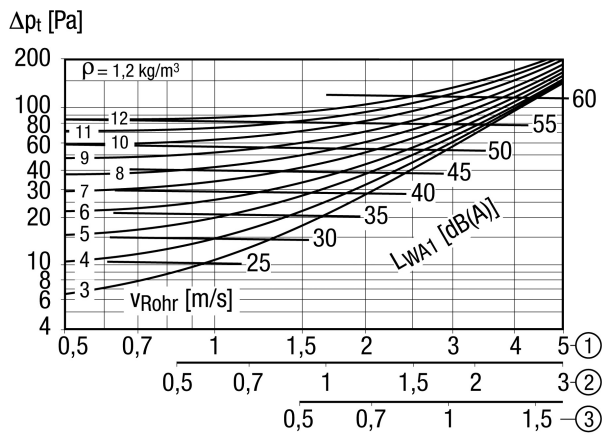


Characteristic curve Supply air front side velocity

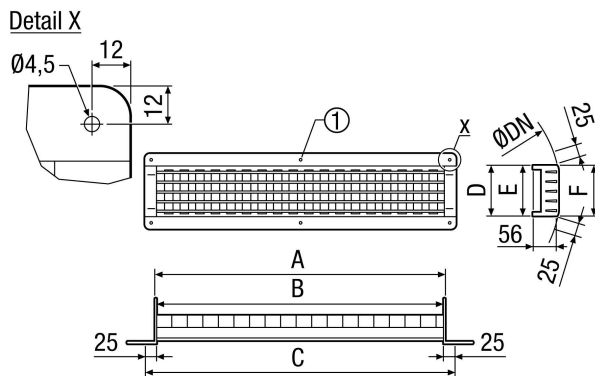


LGR 32/6

Characteristic curve Supply air pressure losses



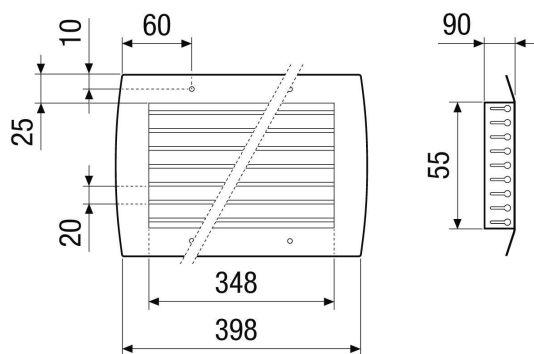
Dimensioned drawing [mm]



A	B	C	D	E	F
315	312	358	65	60	58

① With LGR 82/6 and LGR 82/12 only

Dimensioned drawing [mm]



A	B	C	D	E	F
315	312	358	65	60	58