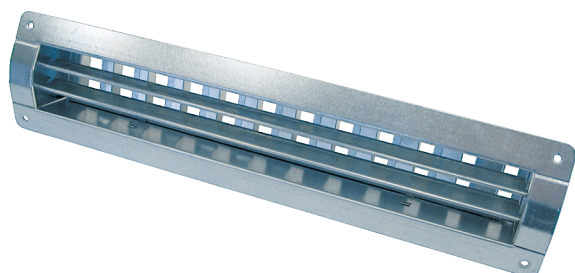


# LGR 62/6



## Short description

Internal grille for ventilation and air extraction for installation in ducts, sheet steel, galvanised, max. 350 m³/h

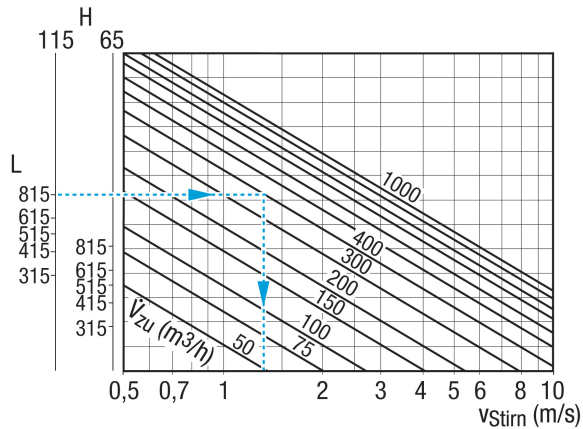
Article number 0151.0357

## Technical data

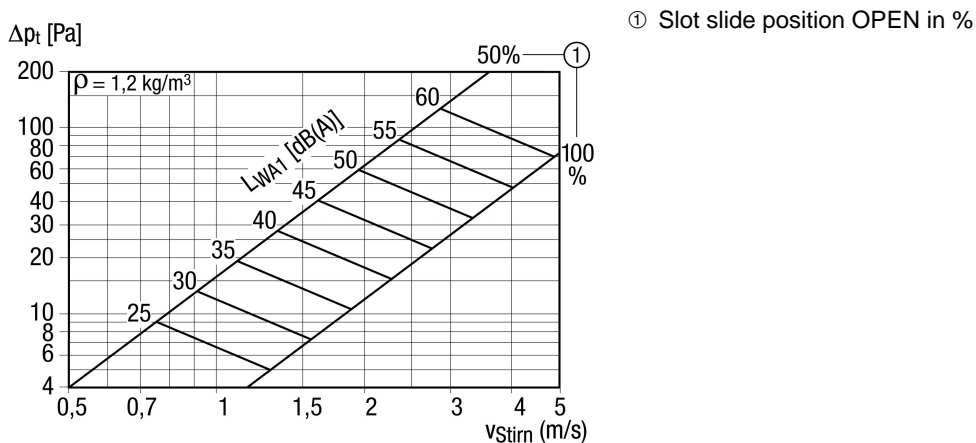
Air direction	Ventilation and air extraction
Practical air throughput at 75% opening of the slot slide	250 m³/h - 350 m³/h
Installation	Inside
Installation site	Duct
Material	Sheet steel, galvanised
Weight	1,23 kg
Weight including packaging	1,42 kg
Suitable for nominal size	140 mm - 400 mm (ideal 250 mm)
Width	658 mm
Height	113 mm
Depth	56 mm
Width with packaging	685 mm
Height with packaging	120 mm
Depth with packaging	70 mm
Packing unit	1 piece
Range	C
GTIN (EAN)	4012799513575

# LGR 62/6

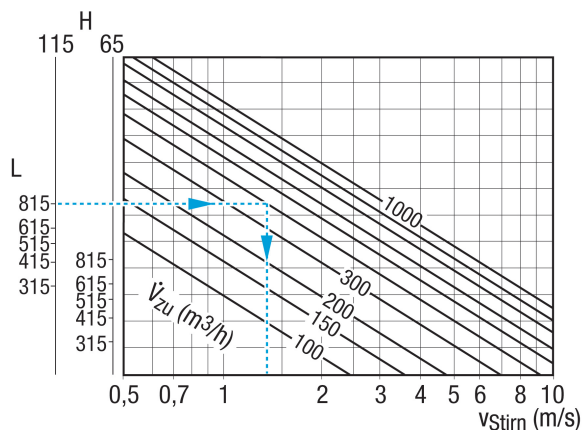
## Characteristic curve Exhaust air front side velocity



## Characteristic curve Exhaust air pressure losses

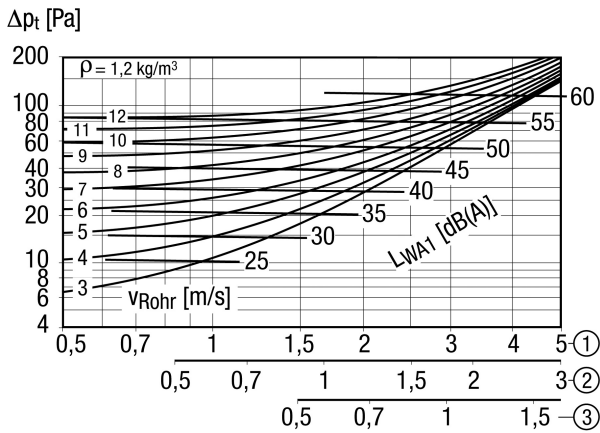


## Characteristic curve Supply air front side velocity

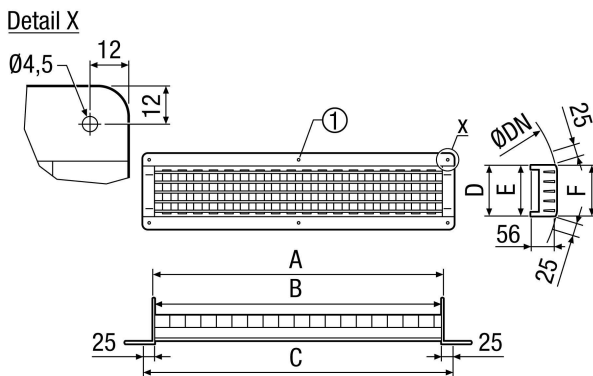


# LGR 62/6

## Characteristic curve Supply air pressure losses



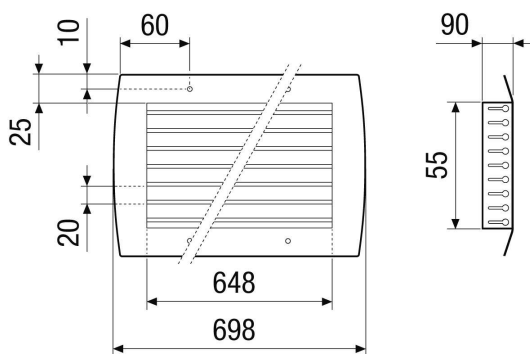
## Dimensioned drawing [mm]



A	B	C	D	E	F
615	612	658	65	60	58

① With LGR 82/6 and LGR 82/12 only

## Dimensioned drawing [mm]



A	B	C	D	E	F
615	612	658	65	60	58