

# LW 9-1

## Short description

Air flow monitor with remote sensor, measuring range 1 m/s to 20 m/s, changeover contact 230 VAC (max. 10 A,  $\cos \phi = 1$ )



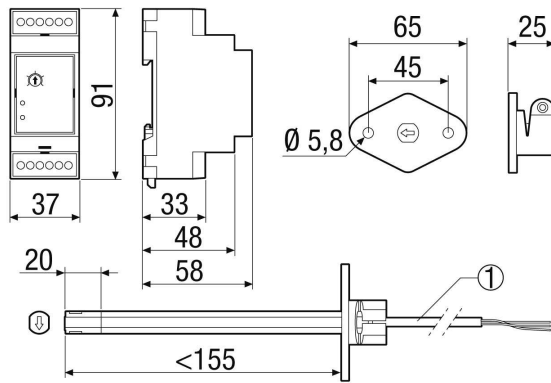
Article number 0157.1707

## Technical data

Min. flow velocity	1 m/s
Max. flow velocity	20 m/s
Rated voltage	230 V
Frequency	50 Hz
Degree of protection	IP 20
Installation site	Channel
Housing material	PC / ABS
Colour	grey
Weight	0,2 kg
Weight including packaging	0,33 kg
Switching hysteresis	2.0% EW
Width	36,5 mm
Height	90 mm
Depth	58 mm
Width with packaging	115 mm
Height with packaging	295 mm
Depth with packaging	70 mm
Airstream temperature at nominal current	0 °C up to 70 °C
Ambient temperature	0 °C up to 60 °C
Max. permissible switched current	10 A / $\cos \phi = 1$ , 230 V AC
Packing unit	1 piece
Range	D
GTIN (EAN)	4012799320142

# LW 9-1

Dimensioned drawing [mm]



① Sensor cable length: approx. 2.4 m