

# MLZ 25



## Short description

External grille, galvanized sheet steel, DN 250

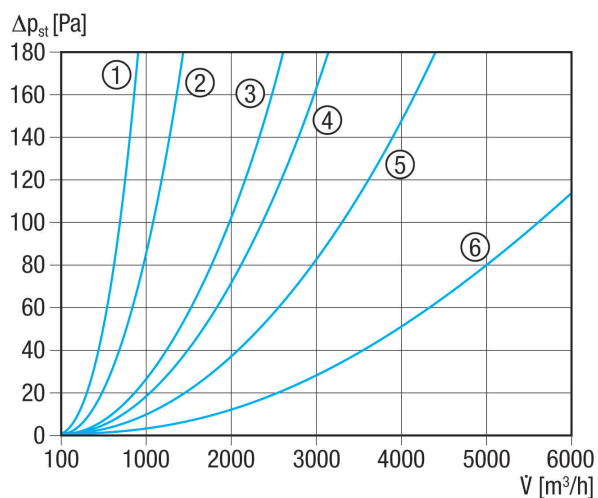
Article number 0151.0102

## Technical data

Air direction	Ventilation and air extraction
Min. flow velocity	
Max. flow velocity	4 m/s
Installation	outside
Installation site	Wall
Material	Sheet steel, galvanized
Number of lamellae	5
Mesh size of small animal guard in cm <sup>2</sup>	15 x 1
Weight	1,95 kg
Weight including packaging	2,12 kg
Suitable for nominal size	250 mm
Open cross section	414 cm <sup>2</sup>
Width	307 mm
Height	280 mm
Depth	52 mm
Width with packaging	335 mm
Height with packaging	335 mm
Depth with packaging	60 mm
Packing unit	1 piece
Range	C
GTIN (EAN)	4012799511021

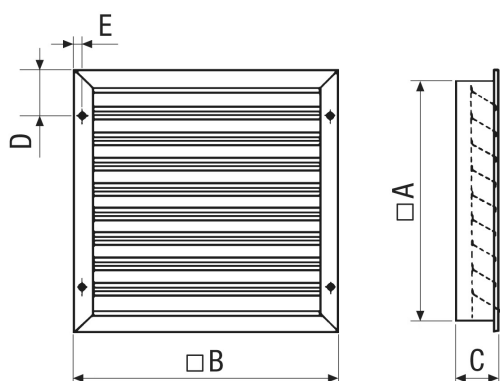
# MLZ 25

## Characteristic curve Pressure losses



- ① MLA 20, MLZ 20
- ② MLA 25, MLZ 25
- ③ MLA 30, MLZ 30
- ④ MLA 35, MLZ 35
- ⑤ MLA 40, MLZ 40
- ⑥ MLA 50, MLZ 50

## Dimensioned drawing [mm]



A	B	C	D	E
280	307	52	68	12,5

Number of lamellae 5  
 Mesh size of small animal guard 15 x 1