

RV 2 VS 90E



Short description

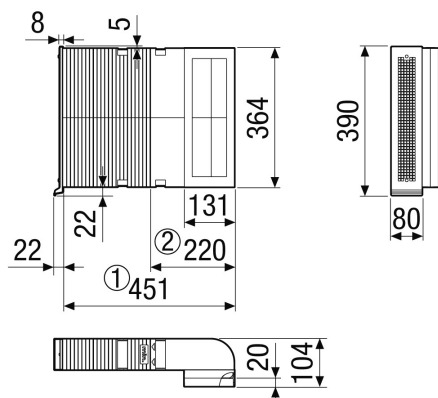
90° deflection for RV 2 VS pre-installation set for use in serial renovation work, stainless steel external cover

Article number 0092.0645

Technical data

Installation site	Outside wall
Material	Plastic / stainless steel
Colour	Stainless steel
Weight	1,2 kg
Weight including packaging	1,2 kg
Width	365 mm
Height	125 mm
Depth	450 mm
Width with packaging	368 mm
Height with packaging	128 mm
Depth with packaging	453 mm
Packing unit	1 piece
Range	N
GTIN (EAN)	4012799926450

Dimensioned drawing [mm]



- ① max. length
- ② min. length