

# SD-MV4555-V-SL1



## Short description

Sound absorber module SL1 necessary to order with RLT 5500 MV4555V. Silencer baffles based on the absorber principle, made of abrasion-resistant and non-combustible mineral fibre panels, enclosed in a sturdy sheet metal housing, with additionally bevelled edges. Non-combustible according to DIN 4102, class A.

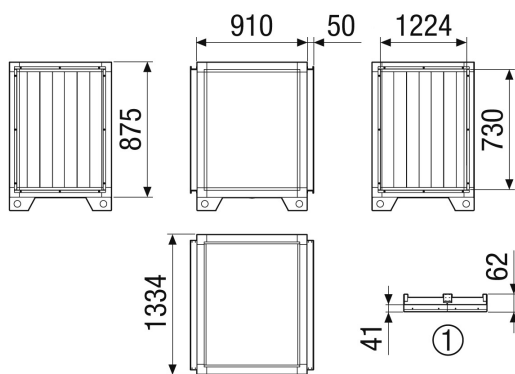
Article number 0043.2728

## Technical data

Installation site	inside / outside
Material	Sheet steel, galvanised
Colour	white similar to RAL 7047
Weight	76 kg
Weight including packaging	89,68 kg
Width	1.010 mm
Height	975 mm
Depth	1.334 mm
Width with packaging	1.130 mm
Height with packaging	1.215 mm
Depth with packaging	1.454 mm
Insertion loss at 63 Hz	3 dB
Insertion loss at 125 Hz	4,5 dB
Insertion loss at 250 Hz	15 dB
Insertion loss at 500 Hz	14 dB
Insertion loss at 1 kHz	16 dB
Insertion loss at 2 kHz	16 dB
Insertion loss at 4 kHz	11,5 dB
Insertion loss at 8 kHz	11 dB
Total insertion loss	
Insertion loss note	
Packing unit	1 piece
Range	X
GTIN (EAN)	4012799986164

# SD-MV4555-V-SL1

Dimensioned drawing [mm]



① Roof detail