

SD-MV4555-V-SL2



Short description

Sound absorber module SL2 must be ordered with RLT 5500 MV4555V. Silencer baffles based on the absorber principle, made of abrasion-resistant and non-combustible mineral fibre panels, enclosed in a sturdy sheet metal housing, with additionally bevelled edges. Non-combustible according to DIN 4102, class A.

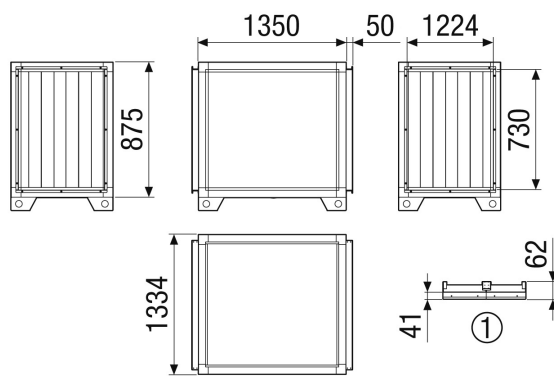
Article number 0043.2729

Technical data

Installation site	inside / outside
Material	Sheet steel, galvanised
Colour	white similar to RAL 7047
Weight	108 kg
Weight including packaging	127,44 kg
Width	1.450 mm
Height	975 mm
Depth	1.334 mm
Width with packaging	1.570 mm
Height with packaging	1.215 mm
Depth with packaging	1.454 mm
Insertion loss at 63 Hz	4,4 dB
Insertion loss at 125 Hz	6,6 dB
Insertion loss at 250 Hz	22 dB
Insertion loss at 500 Hz	20,5 dB
Insertion loss at 1 kHz	23,5 dB
Insertion loss at 2 kHz	23,5 dB
Insertion loss at 4 kHz	16,9 dB
Insertion loss at 8 kHz	16,1 dB
Total insertion loss	
Insertion loss note	
Packing unit	1 piece
Range	X
GTIN (EAN)	4012799986171

SD-MV4555-V-SL2

Dimensioned drawing [mm]



① Roof detail