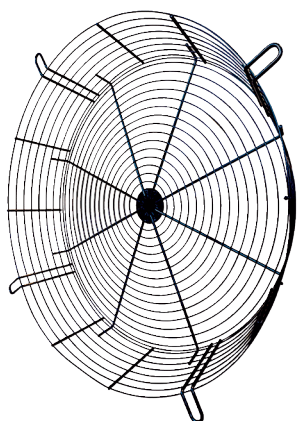


SGCI 112



Short description

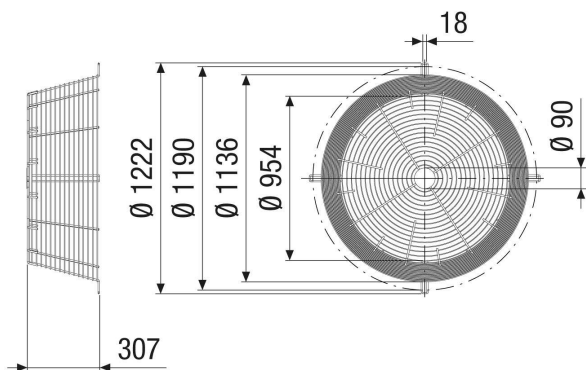
Contact protection grille for free inlet in conical design, DN 1120

Article number 0073.0214

Technical data

Installation site	Fans
Material	Sheet steel
Colour	Silver
Weight	10 kg
Weight including packaging	10 kg
Nominal size	1.120 mm
Width	307 mm
Height	1.136 mm
Depth	307 mm
Width with packaging	307 mm
Height with packaging	1.136 mm
Depth with packaging	307 mm
Packing unit	1 piece
Range	C
GTIN (EAN)	4012799732143

Dimensioned drawing [mm]



SGCI 112

