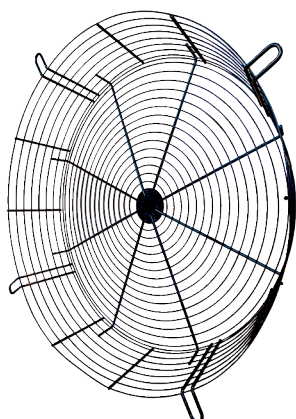


SGCI 63



Short description

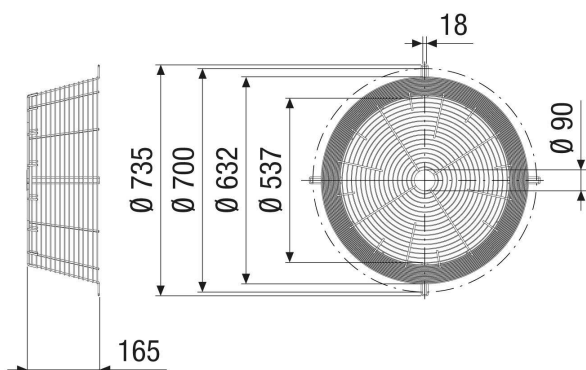
Contact protection grille for free inlet in conical design, DN 630

Article number 0073.0093

Technical data

Installation site	Fans
Material	Sheet steel
Colour	Silver
Weight	3 kg
Weight including packaging	3 kg
Nominal size	630 mm
Width	165 mm
Height	632 mm
Depth	165 mm
Width with packaging	165 mm
Height with packaging	632 mm
Depth with packaging	165 mm
Packing unit	1 piece
Range	C
GTIN (EAN)	4012799730934

Dimensioned drawing [mm]



SGCI 63

