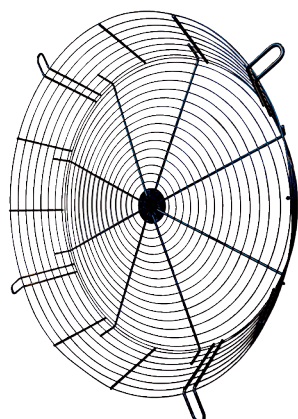


SGCI 71



Short description

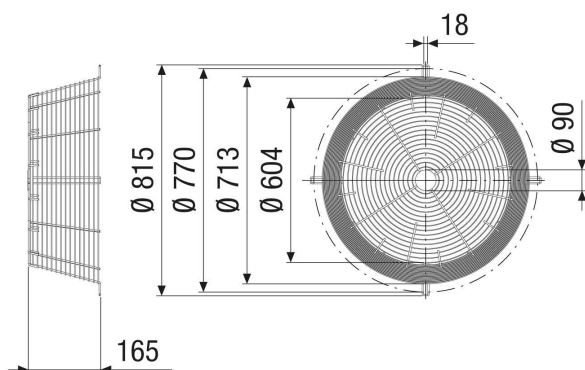
Contact protection grille for free inlet in conical design, DN 710

Article number 0073.0094

Technical data

| | |
|----------------------------|---------------|
| Installation site | Fans |
| Material | Sheet steel |
| Colour | Silver |
| Weight | 4,5 kg |
| Weight including packaging | 4,5 kg |
| Nominal size | 710 mm |
| Width | 165 mm |
| Height | 713 mm |
| Depth | 165 mm |
| Width with packaging | 165 mm |
| Height with packaging | 713 mm |
| Depth with packaging | 165 mm |
| Packing unit | 1 piece |
| Range | C |
| GTIN (EAN) | 4012799730941 |

Dimensioned drawing [mm]



SGCI 71

