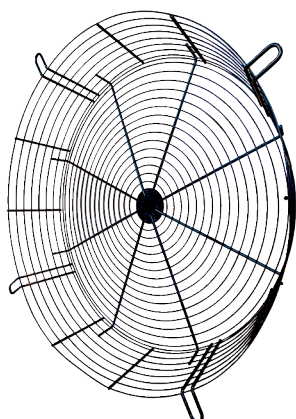


# SGCI 90



## Short description

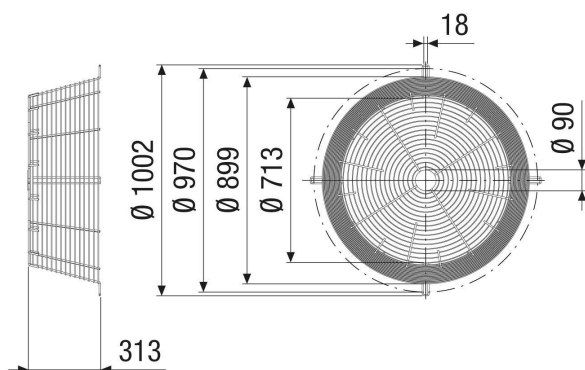
Contact protection grille for free inlet in conical design, DN 90

Article number 0073.0096

## Technical data

Installation site	Fans
Material	Sheet steel
Colour	Silver
Weight	7 kg
Weight including packaging	7 kg
Nominal size	900 mm
Width	313 mm
Height	898 mm
Depth	313 mm
Width with packaging	313 mm
Height with packaging	898 mm
Depth with packaging	313 mm
Packing unit	1 piece
Range	C
GTIN (EAN)	4012799730965

## Dimensioned drawing [mm]



# SGCI 90

